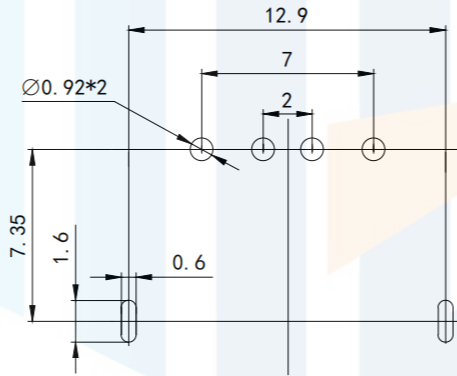
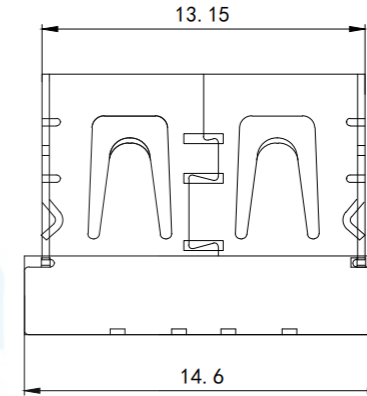
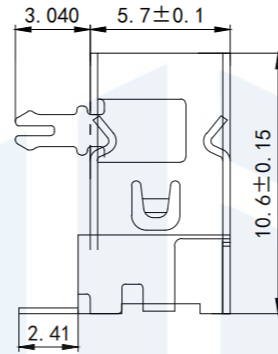
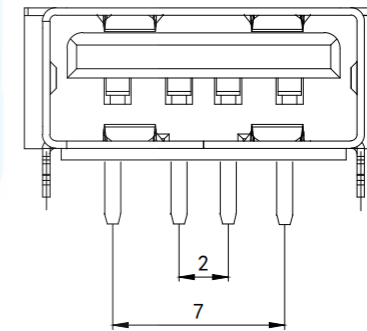


RoHS2.0
Compliant



RECOMMENDED P.C.B LAYOUT



Specifications:

Electrical:

1. Current Rating
1.5A/contact terminal
2. Working Voltage: Voltage Rating
30V DC
3. Resistance: Contact
30 milliohms MAX
4. Dielectric Withstanding Voltage:
500 VAC AT Sea Level
5. Insulation Resistance: Insulation Resistance:
1000MEGA ohmsMIN

Physical Properties: Mechanical:


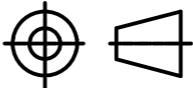
1. Connector Mating Force
Mating force: 3.57kgf (MAX)
Unmating force: 1.02kgf (MIN)
2. Terminal Retention
1.0kgf (MIN)

Raw Materials:

- Material:**
1. Housing: Thermoplastics.
 2. Good: Contact: Copper Alloy C2680
 3. Shell: Copper Alloy C2680/SPCC

Plating: Finish:

1. Contact: Plated Gold in Mating Area;
The Tin On Solder Tails
terminals are plated with 100-200U" (MIN) nickel
bottom around the perimeter and brushed gold 1U"
2. Shell:
The iron case is surrounded by 80U (MIN)
nickel plating

TOLERANCE		 <p>东莞市恒祺电子科技有限公司 Dongguan Hengqi Electronic Technology Co., Ltd</p> <p>https://www.hq-dz.com phone: 15812872448</p>		
X. XXX	±0.05		TITLE: USB A/F 短体10.6两脚直边90度 鱼叉脚	
X. XX	±0.15			
X. X	±0.20		PART NO: USB2.0-A106	
X.	±0.30		DRAWING NO: 14.6*10.6*5.7	
ANGLE	±5.0°			
PROTECTON		DRAWN:	DATE:	UNIT:
		CHECKED:	DATE:	SCALE:
		APPROVED:	DATE:	SIZE:
			18-10-08	mm
		18-10-08	FULL	
		18-10-08	A4	