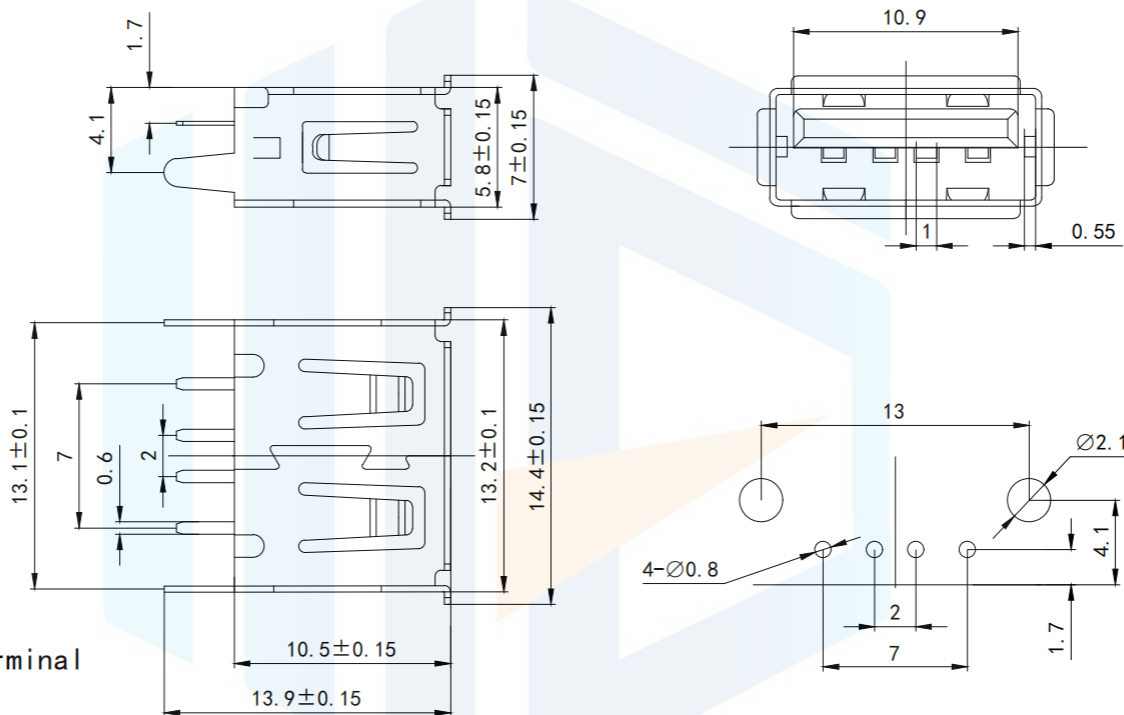


RoHS2.0
Compliant



Specifications:

Electrical:

1. Current Rating:1.5A contact terminal
2. Voltage Rating:30V DC
3. Contact Resistance:30 milliohms MAX
4. Dielectnic Withstanding Voltage:500 V AC AT Sea Level
5. Insulation Resistance:1000MEGA ohms MIN

Mechanical:

1. Connector Mate and Unmate Force: 3.75kgf (MAX) Unmate force:1.02kgf (MIN)
2. Terminal Retention: 1.2kgf (MIN)


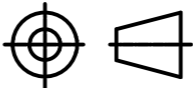
Material:

1. Housing: High Temperature Thermoplastics, U1 94V-0 PBT/LCP White/Black

2. Contact: Copper Alloy C2680
3. Shell: Copper Alloy C2680/SPCC

Finish:

1. Contact: Plated Gold in Mating Area; Tin On Solder Tails
2. Shell: Nickel Plating

TOLERANCE X. XXX ±0.05 X. XX ±0.15 X. X ±0.20 X. ±0.30 ANGLE ±5.0°		东莞市恒祺电子科技有限公司 Dongguan Hengqi Electronic Technology Co., Ltd	
		https://www.hq-dz.com phone:15812872448	
PROTECTON 	DRAWN:	DATE: 18-10-08	UNIT: mm
	CHECKED:	DATE: 18-10-08	SCALE: FULL
	APPROVED:	DATE: 18-10-08	SIZE: A4

东 莞 市 恒 祺 电 子 科 技 有 限 公 司
 Dongguan Hengqi Electronic Technology Co., Ltd
<https://www.hq-dz.com> phone:15812872448

TITLE: USB A/F短体10.5直脚卷边
PART NO: USB2.0-A105A
DRAWING NO: 14.4*10.5*5.8

DRAWN: **DATE:** 18-10-08 **UNIT:** mm
CHECKED: **DATE:** 18-10-08 **SCALE:** FULL
APPROVED: **DATE:** 18-10-08 **SIZE:** A4