

RoHS2.0
Compliant

Specifications:

Electrical:

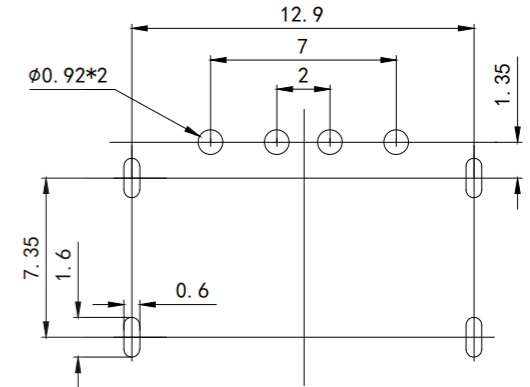
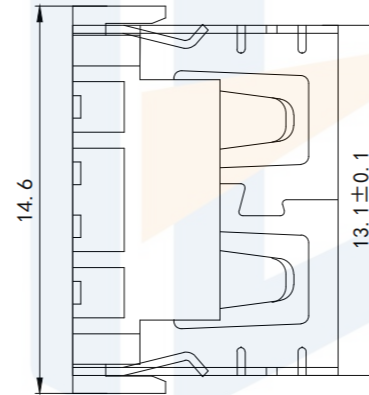
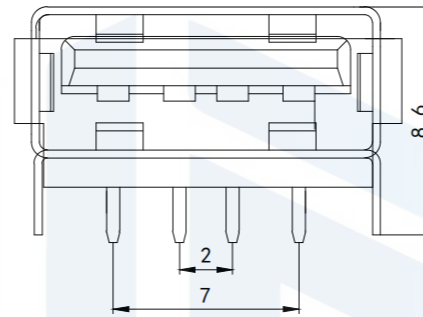
1. Current Rating
3.0A/contact termina
2. Voltage Rating
30V DC
3. Contact RESISTANCE
30 milliohms MAX
4. Dielectric Withstanding Voltage:
500 V AC AT Sea Level
5. Insulation Resistance:
1000MEGA ohms MIN

Mechanical:

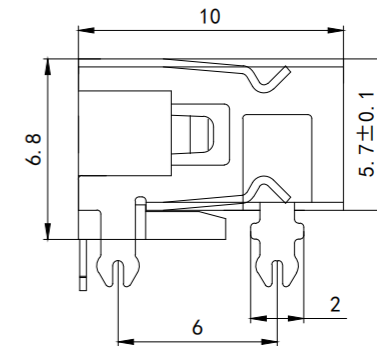
1. Connector Mate and Unmate Force
Mate force: 3.57kgf (MAX)
Unmate force: 1.02kgf (MIN)
2. Terminal Retention
1.0kgf (MIN)

Material:

1. Housing:
High Temperature Thermoplastics,
 2. Contact: Copper Alloy C2680
 3. Shell: SPCG
- Finish:
1. Contact: Plated Gold in Mating Area
Tin On Solder Tails
 2. Burning :Shell: 80U "(MIN) nickel is plated around the shell
- Nickel Plating



RECOMMENDED P.C.B LAYOUT



| | | | | | |
|------------------|-------|---|--|-----------------------------|-----------------------|
| TOLERANCE | | | 东莞市恒祺电子科技有限公司 | | |
| X. XXX | ±0.05 | | Dongguan Hengqi Electronic Technology Co., Ltd | | |
| X. XX | ±0.15 | https://www.hq-dz.com phone:15812872448 | | | |
| X. X | ±0.20 | TITLE: USB A/F 短体10.0四脚直边90度 | | PART NO: USB2.0-A068 | |
| X. | ±0.30 | DRAWING NO: 13.1*10.0*5.7 | | | |
| ANGLE | ±5.0° | | | | |
| PROTECTON | | DRAWN: | DATE: | 18-10-08 | UNIT: mm |
| | | CHECKED: | DATE: | 18-10-08 | SCALE: FULL |
| | | APPROVED: | DATE: | 18-10-08 | SIZE: A4 |