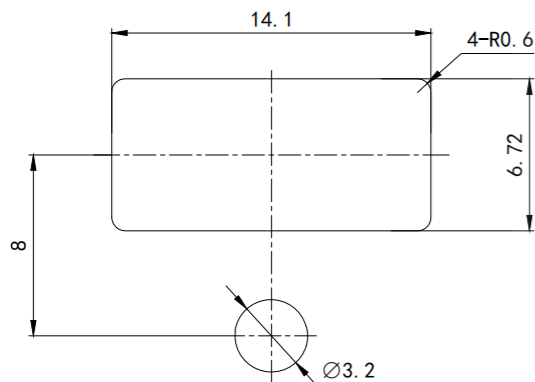
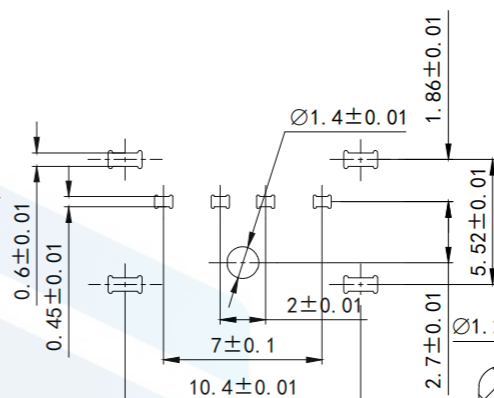
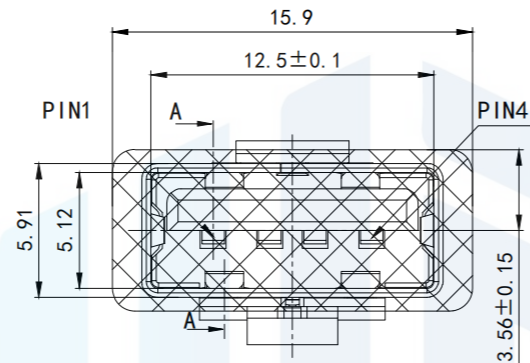


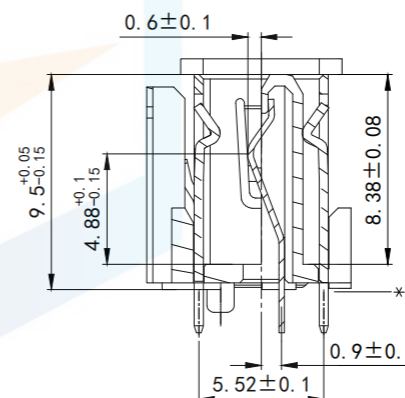
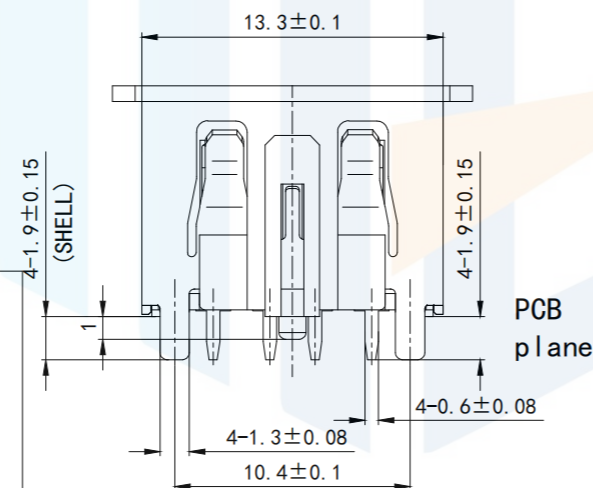
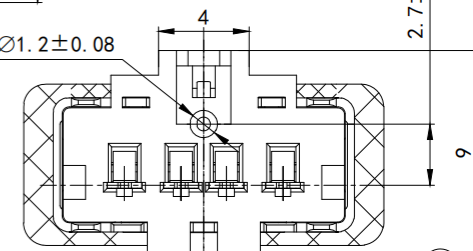
RoHS2.0
Compliant



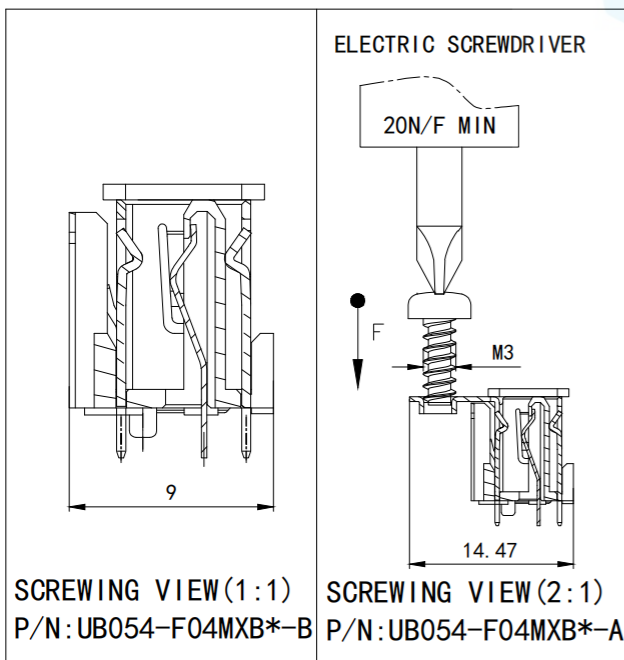
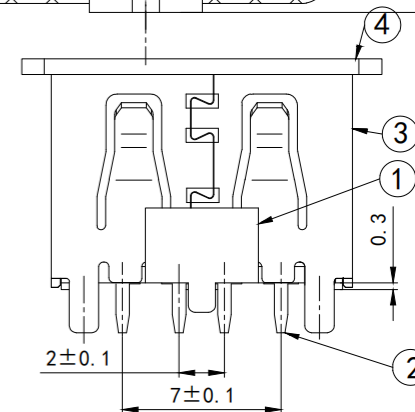
RECOMMENDED PANEL CUTOUT
GENERAL TOLERANCE 0.1mm



PCB过板检具参考图
公差: ±0.1



SECTION A-A
SCALE 1:1



TOLERANCE X. XXX ±0.05 X. XX ±0.15 X. X ±0.20 X. ±0.30 ANGLE ±5.0°		东莞市恒祺电子科技有限公司 Dongguan Hengqi Electronic Technology Co., Ltd	
		https://www.hq-dz.com phone: 15812872448	
PROTECTON 	TITLE: USB A/F立式插板5脚定位 带塑胶扣		PART NO: USB2.0-A054
	DRAWN:		DRAWING NO: 15.9*9*8.38
	CHECKED:	DATE: 18-10-08	UNIT: mm
APPROVED:	DATE: 18-10-08	SCALE: FULL	SIZE: A4