

RoHS2.0
Compliant

Specifications:

Electrical:

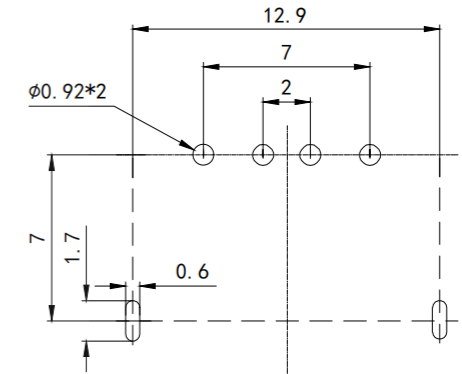
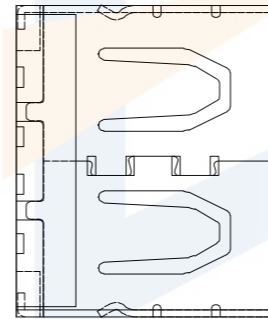
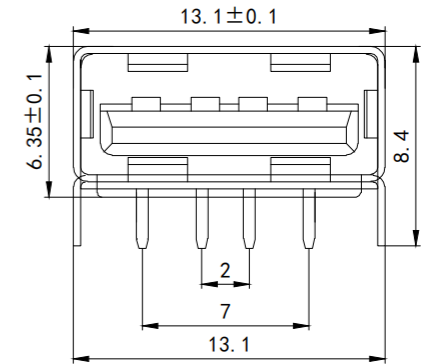
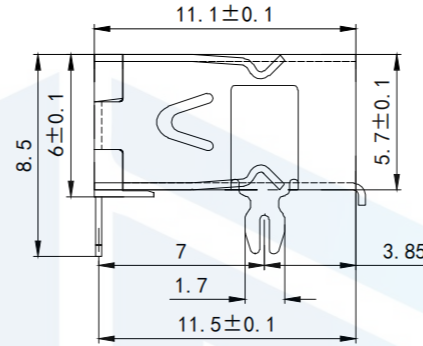
1. Current Rating
3.0A/contact termina
2. Voltage Rating
30V DC
3. Contact RESISTANCE
30 milliohms MAX
4. Dielectric Withstanding Voltage:
500 V AC AT Sea Level
5. Insulation Resistance:
1000MEGA ohms MIN

Mechanical:

1. Connector Mate and Unmate Force
Mate force: 3.57kgf (MAX)
Unmate force: 1.02kgf (MIN)
2. Terminal Retention
1.0kgf (MIN)

Material:

1. Housing:
High Temperature Thermoplastics,
 2. Contact: Copper Alloy C2680
 3. Shell: SPCG
- Finish:
1. Contact: Plated Gold in Mating Area
Tin On Solder Tails
- 50U(MIN) nickel is plated around the terminal, half gold tin 1U
2. Burning :Shell: 80U "(MIN) nickel is plated around the shell
- Nickel Plating



RECOMMENDED P. C. B LAYOUT

TOLERANCE X. XXX ±0.05 X. XX ±0.15 X. X ±0.20 X. ±0.30 ANGLE ±5.0°		东莞市恒祺电子科技有限公司 Dongguan Hengqi Electronic Technology Co., Ltd		
		https://www.hq-dz.com phone: 15812872448		
PROTECTON 	DRAWN: CHECKED: APPROVED:	TITLE: USB A/F短体11.5单边卷边2定位脚 三星款		
		PART NO: USB2.0-A021		
		DRAWING NO: 13.1*11.5*5.7		
		DATE:	18-10-08	UNIT: mm
		DATE:	18-10-08	SCALE: FULL
		DATE:	18-10-08	SIZE: A4