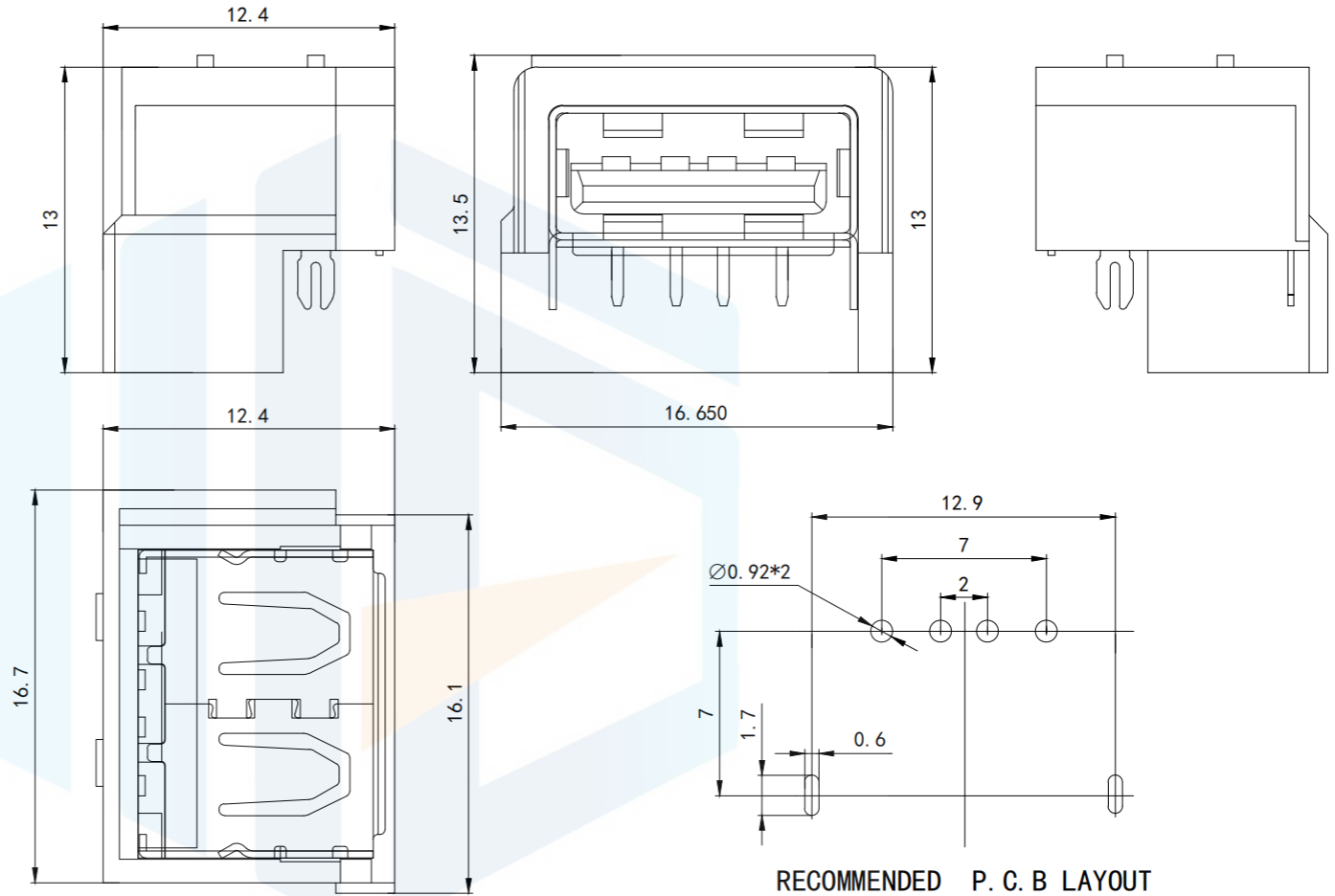


RoHS2.0
Compliant



Specifications:

Electrical:

1. Current Rating
1.5A/contact terminal
2. Working Voltage: Voltage Rating
30V DC
3. Resistance: Contact
30 milliohms MAX
4. Dielectric Withstanding Voltage:
500 VAC AT Sea Level
5. Insulation Resistance: Insulation Resistance:
1000MEGA ohmsMIN

Physical Properties: Mechanical:

1. Connector Mating Force:
Mating force: 3.57kgf (MAX)
Unmating force: 1.02kgf (MIN)
2. Terminal Retention
1.0kgf (MIN)


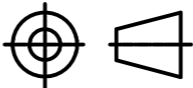
Raw Materials:

- Material:**
1. Housing: Thermoplastics.
 2. Good: Contact: Copper Alloy C2680
 3. Shell: Copper Alloy C2680/SPCC

Plating: Finish:

1. Contact: Plated Gold in Mating Area;
The Tin On Solder Tails
terminals are plated with 100-200U" (MIN) nickel
bottom around the perimeter and brushed gold 1U"
2. Shell:
The iron case is surrounded by 80U (MIN)
nickel plating

RECOMMENDED P.C.B LAYOUT

TOLERANCE X. XXX ±0.05 X. XX ±0.15 X. X ±0.20 X. ±0.30 ANGLE ±5.0°	 东莞市恒祺电子科技有限公司 Dongguan Hengqi Electronic Technology Co., Ltd	https://www.hq-dz.com phone: 15812872448		
		TITLE: USB A/F 短体10.5两脚单卷边 带护套三星款		PART NO: USB2.0-A021A
PROTECTON 	DRAWN:	DATE:	18-10-08	UNIT: mm
	CHECKED:	DATE:	18-10-08	SCALE: FULL
	APPROVED:	DATE:	18-10-08	SIZE: A4