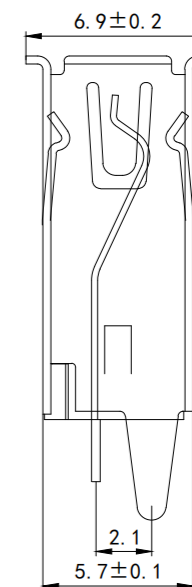
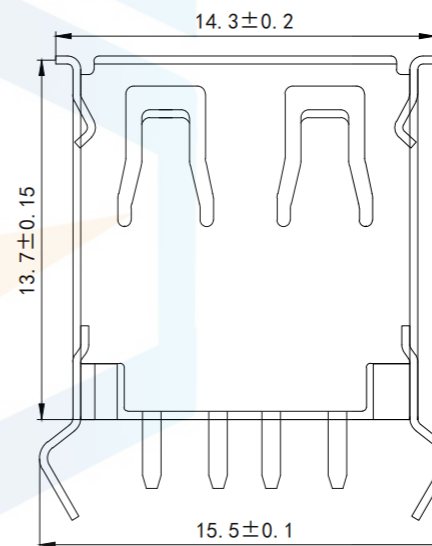
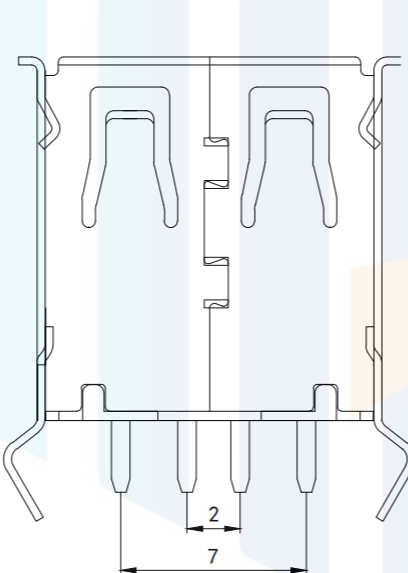
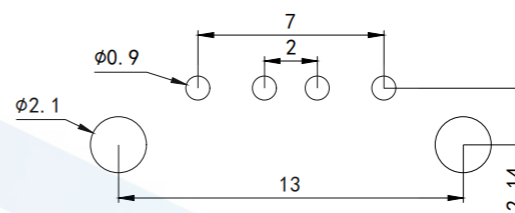
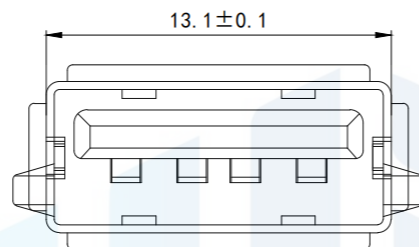


RoHS2.0
Compliant



Specifications:

Electrical:

1. Current Rating
3.0A/contact termina
2. Voltage Rating
30V DC
3. Contact RESISTANCE
30 milliohms MAX
4. Dielectric Withstanding Voltage:
500 V AC AT Sea Level
5. Insulation Resistance:
1000MEGA ohms MIN

Mechanical:

1. Connector Mate and Unmate Force
Mate force: 3.57kgf (MAX)
Unmate force: 1.02kgf (MIN)
2. Terminal Retention
1.0kgf (MIN)

Material:

1. Housing:
High Temperature Thermoplastics,
 2. Contact: Copper Alloy C2680
 3. Shell: SPCG
- Finish:
1. Contact: Plated Gold in Mating Area
Tin On Solder Tails
 2. Burning :Shell: 80U "(MIN) nickel is plated around the shell
- 50U(MIN) nickel is plated around the terminal, half gold tin 1U
Nickel Plating

| | | | | |
|--|--|--|----------|-----------------------|
| TOLERANCE X. XXX ±0.05 X. XX ±0.15 X. X ±0.20 X. ±0.30 ANGLE ±5.0° | | 东莞市恒祺电子科技有限公司 Dongguan Hengqi Electronic Technology Co., Ltd | | |
| | | https://www.hq-dz.com phone: 15812872448 | | |
| PROTECTON | DRAWN: CHECKED: APPROVED: | TITLE: USB A/F立式13.7直插卷边弯脚 | | |
| | | PART NO: USB2.0-A008 | | |
| | | DRAWING NO: 13.7*14.3*6.9 | | |
| | | DATE: | 18-10-08 | UNIT: mm |
| | | DATE: | 18-10-08 | SCALE: FULL |
| | | DATE: | 18-10-08 | SIZE: A4 |