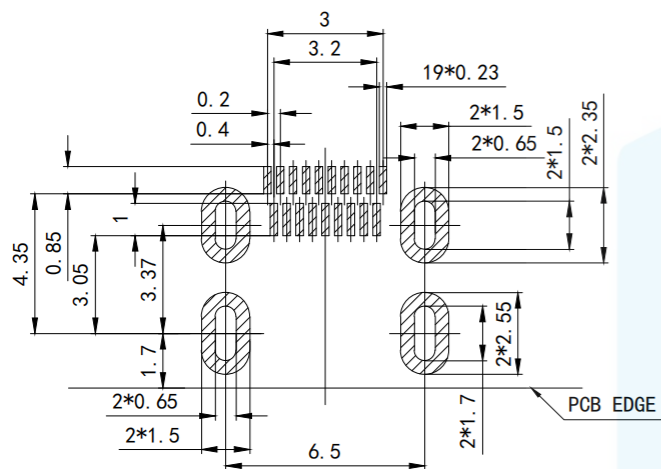
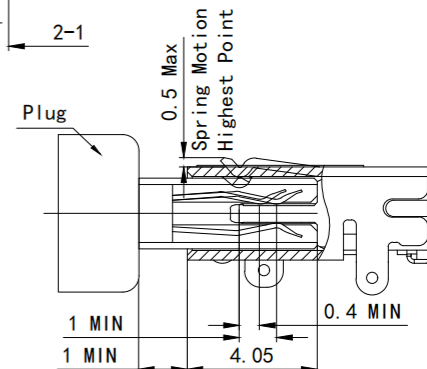
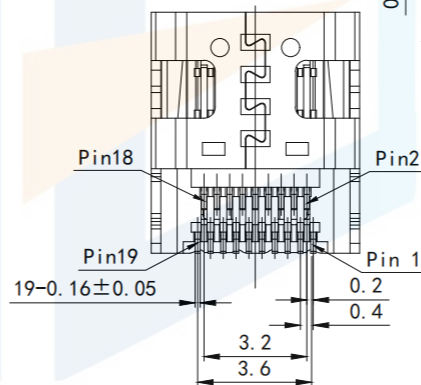
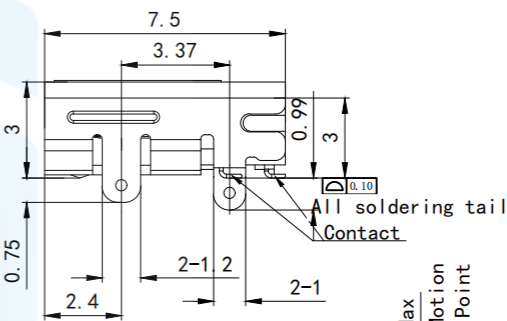
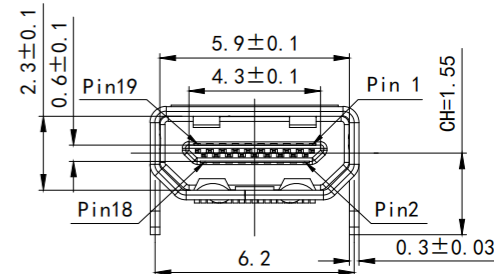
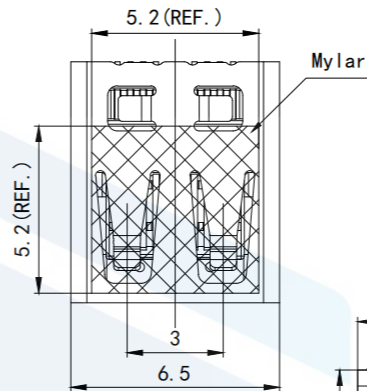
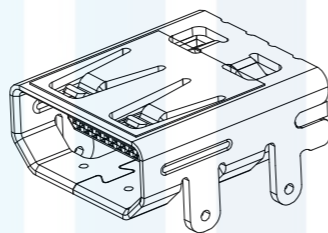


RoHS2.0  
Compliant



RECOMMENDED PCB LAYOUT (TOP VIEW)  
(TOLERANCE:  $\pm 0.05\text{mm}$ )



Receptacle and Plug Mated Condition

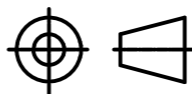
Notes:

1. Materials
  - a. Housing: LCP+30% G/F, Black, UL94 V-0;
  - b. Contact: Phosphor Copper (C5191), Gold Plating at mating area, Matte Tin or Au Plating at solder tail, all over Nickel;
  - c. Shell: Phosphor Copper (C5191);
2. Ratings
  - a. Current Rating: 0.3A ;
  - b. Operating Temperature:  $-40^{\circ}\text{C} \sim 85^{\circ}\text{C}$ ;
3. Electrical Requirement:
  - a. LLCR: Excluding Conductor Resistance  $10\text{m}\Omega$  Max. (Target design value), Contact:  $30\text{m}\Omega$  Max. changed (Final), Shell:  $50\text{m}\Omega$  Max. Changed (Final);
  - b. Dielectric Withstanding Voltage: 150V AC (RMS) for 1 minute (Mated), 250V AC (RMS) for 1 minute (Unmated);
  - c. Insulation Resistance:  $10\text{M}\Omega$  Min. @ 150V DC (Mated),  $100\text{M}\Omega$  Min. @ 500V DC (Unmated);
4. Mechanical Performance:
  - a. Insertion force: 44.1N (4.5Kgf) Max.;
  - b. Withdrawal force: 4.9~25N (0.5~2.5Kgf);
  - c. Durability life: 5,000 Cycles;
  5. IR Reflow: the peak temperature on board shall be maintained for 10 seconds at  $260\pm 5^{\circ}\text{C}$ .

TOLERANCE

X. XXX	$\pm 0.05$
X. XX	$\pm 0.15$
X. X	$\pm 0.20$
X.	$\pm 0.30$
ANGLE	$\pm 5.0^{\circ}$

PROTECTON



东莞市恒祺电子科技有限公司  
Dongguan Hengqi Electronic Technology Co., Ltd

<https://www.hq-dz.com>

phone: 15812872448

TITLE:

HDMI Type D 19Pin, 板上型  
CH=1.55, 双排SMT, 外壳前后插

PART NO: HDMI-DF016

DRAWING NO: 7.5\*6.5\*3

DRAWN:

DATE:

18-10-08

UNIT:  
mm

CHECKED:

DATE:

18-10-08

SCALE:  
FULL

APPROVED:

DATE:

18-10-08

SIZE:  
A4