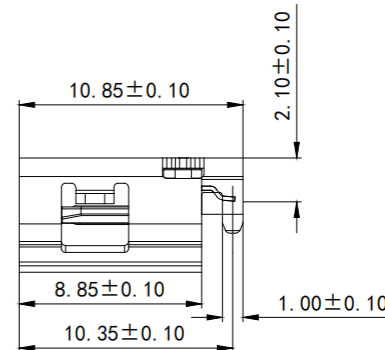
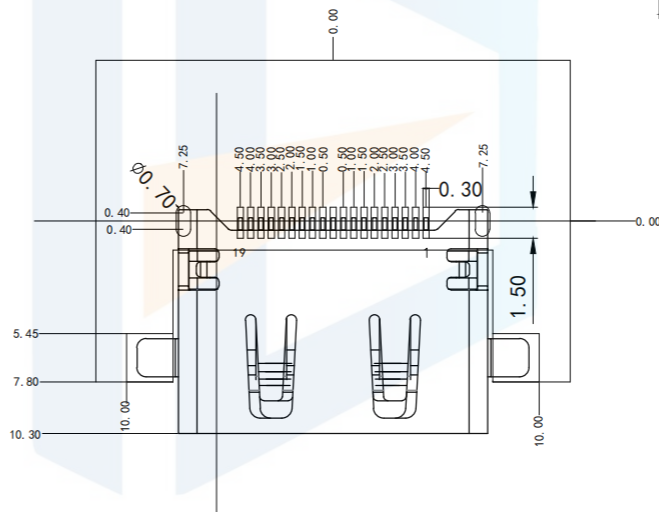
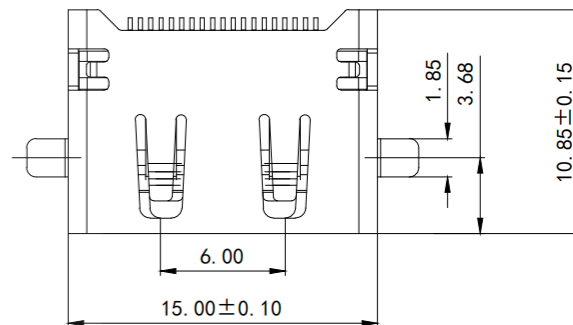
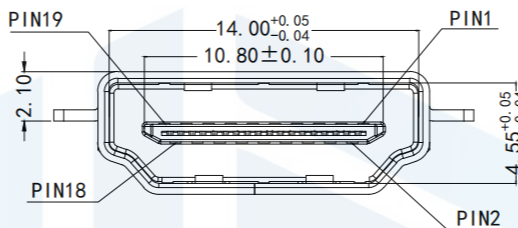
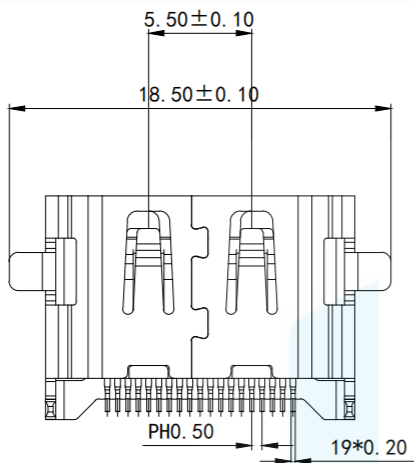


RoHS2.0  
Compliant



### SPECIFICATION

#### 1. Electrical characteristics

- Contact Current Rating: 0.5 A
- Dielectric Withstanding Voltage: 300V AC
- Insulation Resistance: a. Mate 100MΩ MIN at 500V/DC b. Unmate 10MΩ MIN at 150V/DC
- Contact Resistance: 30mΩ MAX
- Temperature Range: -20° C to +85° C

#### 2. Mechanical

- Mating Face: 44.1N MAX
- Unmating Face: 9.8N MIN; 39.2N MAX
- Durability: 5000 Cycles

#### 3. material:

- HOUSING: THERMOPLASTICS HIGH TEMP LCP+GLASS FIBER WHITE COLOR, UL94V-0
- CONTACT: Copper Alloy, T=0.20MM
- SHELL: Copper Alloy (SPCC), T=0.50MM

#### 4. PLATING:

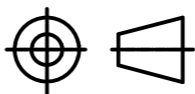
- CONTACT: 1~30u" GOLD/TIN PLATING ON CONTACT AREA 100u" MIN, TIN PLATING ON SOLDER TAILS 50u" MIN, NICKEL UNDERPLATING OVER ALL
- SHELL: 80u", NICKEL UNDERPLATING OVER ALL

#### 5. "\*" Key control size

### TOLERANCE

X. XXX	±0.05
X. XX	±0.15
X. X	±0.20
X.	±0.30
ANGLE	±5.0°

### PROTECTON



东莞市恒祺电子科技有限公司  
Dongguan Hengqi Electronic Technology Co., Ltd

<https://www.hq-dz.com>

phone: 15812872448

### TITLE:

HDMI 19P沉板居中2.1MM

PART NO: HDMI-DF047

DRAWING NO: 15\*10.85\*5.5

DRAWN:

CHECKED:

APPROVED:

DATE:

DATE:

DATE:

18-10-08

18-10-08

18-10-08

UNIT:  
mm

SCALE:  
FULL

SIZE:  
A4