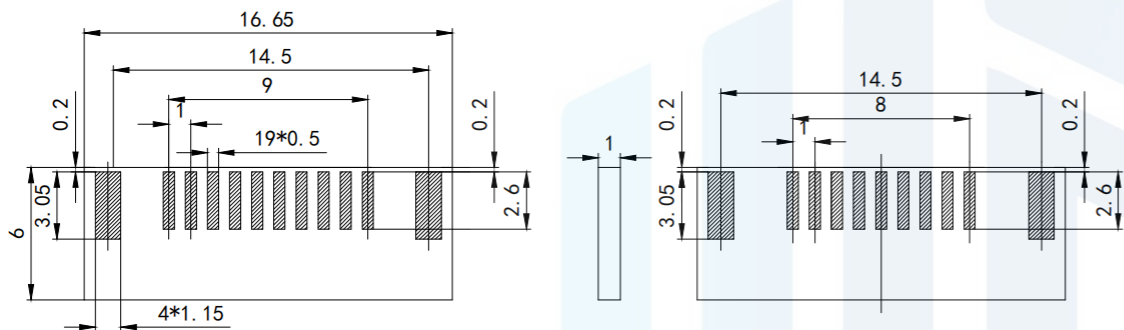
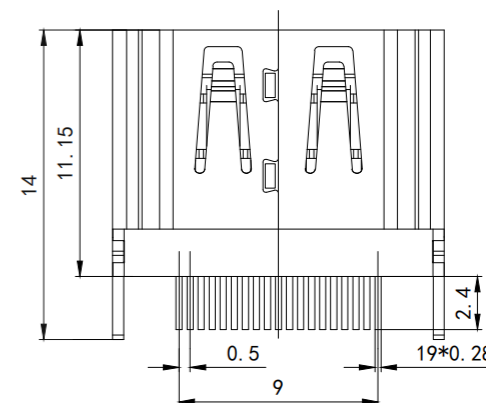
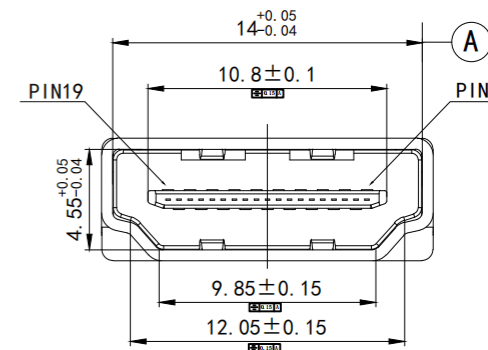


RoHS2.0
Compliant



URECOMMENDED PCB LAYOUT (TOP VIEW)
%%UDEFAULT TOLERANCE: ±0.05



SPECIFICATION

1. ELECTRICAL CHARACTERISTICS CONTACT CURRENT RATING:0.5 A
DIELECTRIC WITHSTANDING VOLTANGE:300V AC INSULATION
RESISTANCE:A. MATE 100MΩ MIN AT 500V/DC B. UNMATE 10MΩ MIN
AT 150V/DC CONTACT RESISTANCE:30MΩ MAX TEMPERATURE
RANGE:-20° C TO +85° C

2. MECHANICAL

MATING FACE:44.1N MAX UNMATIN FACE:9.8N MIN;39.2N MAX
DURABILITY:5000 CYCLES

3. MATERIAL:

HOUSING:THERMOPLASTICS HIGH TEMP LCP+GLASS FIBER BLACK
COLOR,UL94V-0 CONTACT:COPPER ALLOY , T=0.20MM SHELL:COPPER
ALLOY (SPCC) , T=0.50MM

4. PLATING:

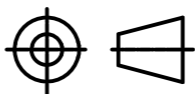
CONTACT:1~30U" GOLD/TIN PLATING ON CONTACT AREA
100U"MIN, TIN PLATING ON SOLDERTAILS 50U"MIN, NICKEL
UNDERPLATING OVER ALL SHELL:80U", NICKEL UNDERPLATING
OVER ALL



TOLERANCE

X. XXX	±0.05
X. XX	±0.15
X. X	±0.20
X.	±0.30
ANGLE	±5.0°

PROTECTON



东莞市恒祺电子科技有限公司

Dongguan Hengqi Electronic Technology Co., Ltd

<https://www.hq-dz.com>

phone:15812872448

TITLE:

HDMI 19P180度夹板式1.00MM

PART NO:HDMI-DF203

DRAWING NO:15*11.15*4.55

DRAWN:

DATE:

18-10-08

UNIT:
mm

CHECKED:

DATE:

18-10-08

SCALE:
FULL

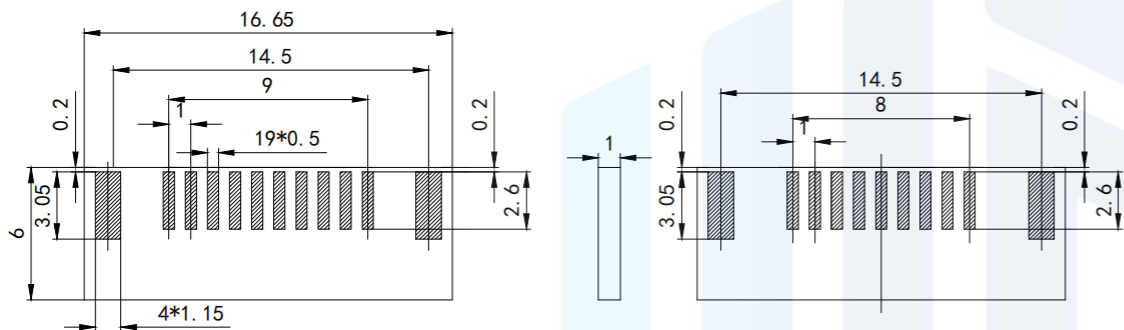
APPROVED:

DATE:

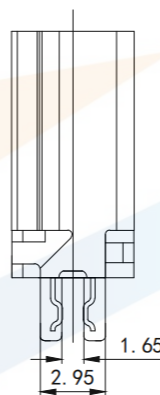
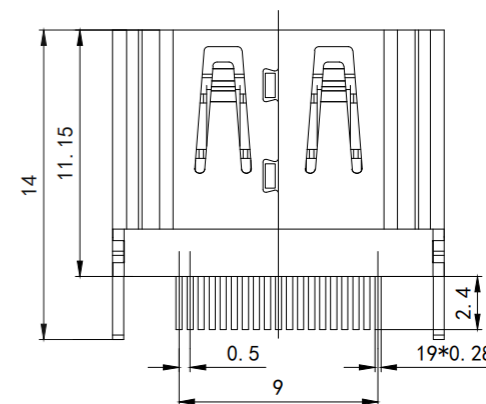
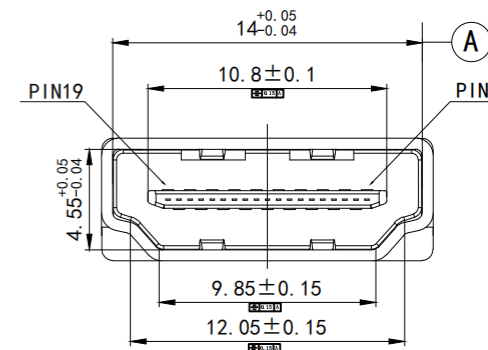
18-10-08

SIZE:
A4

RoHS2.0
Compliant



URECOMMENDED PCB LAYOUT (TOP VIEW)
%%UDEFAULT TOLERANCE: ±0.05



SPECIFICATION

1. ELECTRICAL CHARACTERISTICS CONTACT CURRENT RATING:0.5 A
DIELECTRIC WITHSTANDING VOLTANGE:300V AC INSULATION
RESISTANCE:A. MATE 100MΩ MIN AT 500V/DC B. UNMATE 10MΩ MIN
AT 150V/DC CONTACT RESISTANCE:30MΩ MAX TEMPERATURE
RANGE:-20° C TO +85° C

2. MECHANICAL

MATING FACE:44.1N MAX UNMATIN FACE:9.8N MIN;39.2N MAX
DURABILITY:5000 CYCLES

3. MATERIAL:

HOUSING:THERMOPLASTICS HIGH TEMP LCP+GLASS FIBER BLACK
COLOR,UL94V-0 CONTACT:COPPER ALLOY , T=0.20MM SHELL:COPPER
ALLOY (SPCC) , T=0.50MM

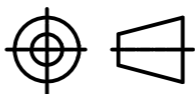
4. PLATING:

CONTACT:1~30U"GOLD/TIN PLATING ON CONTACT AREA
100U"MIN,TIN PLATING ON SOLDERTAILS 50U"MIN,NICKEL
UNDERPLATING OVER ALL SHELL:80U", NICKEL UNDERPLATING
OVER ALL

TOLERANCE

X. XXX	±0.05
X. XX	±0.15
X. X	±0.20
X.	±0.30
ANGLE	±5.0°

PROTECTON



东莞市恒祺电子科技有限公司

Dongguan Hengqi Electronic Technology Co., Ltd

<https://www.hq-dz.com>

phone:15812872448

TITLE:

HDMI 19P180度夹板式1.6MM

PART NO:HDMI-DF209

DRAWING NO:15*11.15*4.55

DRAWN:

DATE: 18-10-08

UNIT:
mm

CHECKED:

DATE: 18-10-08

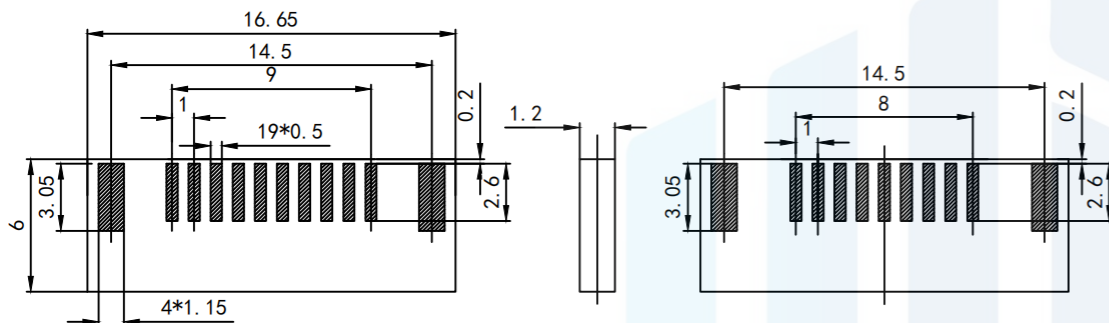
SCALE:
FULL

APPROVED:

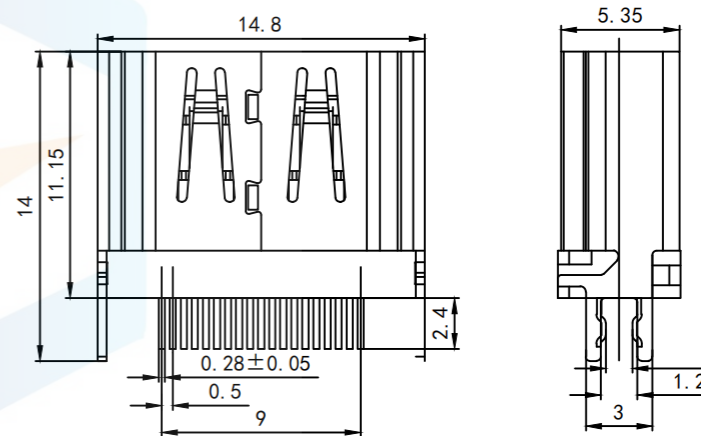
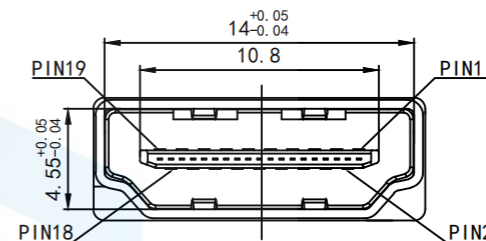
DATE: 18-10-08

SIZE:
A4

RoHS2.0
Compliant



URECOMMENDED PCB LAYOUT (TOP VIEW)
%%UDEFAULT TOLERANCE: ±0.05



SPECIFICATION

1. Electrical characteristics

Contact Current Rating: 0.5 A

Dielectric Withstanding Voltage: 300V AC

Insulation Resistance: a. Mate 100MΩ MIN at 300V/DC

b. Unmate 10MΩ MIN at 150V/DC Contact Resistance: 30mΩ

MAX Temperature Range: -20° C to +85° C

2. Mechanical

Mating Face: 44.1N MAX Unmating Face: 9.8N MIN; 39.2N MAX

Durability: 1500 Cycles

3. material:

HOUSING: THERMOPLASTICS HIGH TEMP LCP+GLASS FIBER

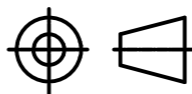
BLACK COLOR, UL94V-0 CONTACT: C2680, T=0.20MM

SHELL: spcc/C2680, T=0.40MM

TOLERANCE

X. XXX	±0.05
X. XX	±0.15
X. X	±0.20
X.	±0.30
ANGLE	±5.0°

PROTECTON



东莞市恒祺电子科技有限公司

Dongguan Hengqi Electronic Technology Co., Ltd

<https://www.hq-dz.com>

phone: 15812872448

TITLE:

HDMI 19P180度夹板式1.2MM

PART NO: HDMI-DF227

DRAWING NO: 15*11.15*4.55

DRAWN:

DATE:

18-10-08

UNIT:
mm

CHECKED:

DATE:

18-10-08

SCALE:
FULL

APPROVED:

DATE:

18-10-08

SIZE:
A4