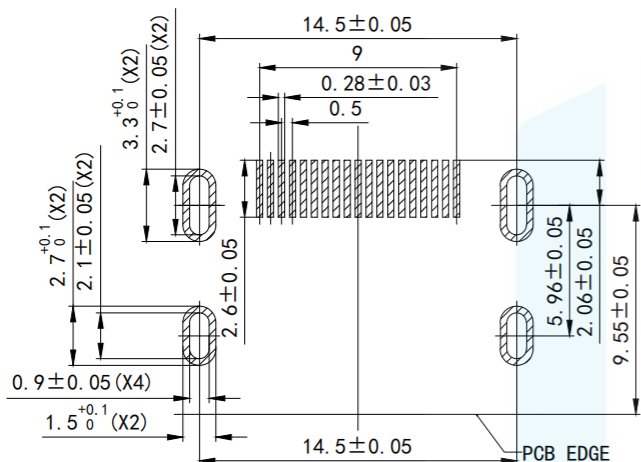


RoHS2.0  
Compliant



RECOMMENDED PCB LAYOUT (TOP VIEW)  
(THICKNESS=1.6±0.05mm)

**SPECIFICATION**

1. ELECTRICAL CHARACTERISTICS CONTACT CURRENT RATING:0.5 A  
DIELECTRIC WITHSTANDING VOLTANGE:300V AC INSULATION  
RESISTANCE:A. MATE 100MΩ MIN AT 500V/DC B. UNMATE 10MΩ MIN  
AT 150V/DC CONTACT RESISTANCE:30MΩ MAX TEMPERATURE  
RANGE:-20° C TO +85° C

**2. MECHANICAL**

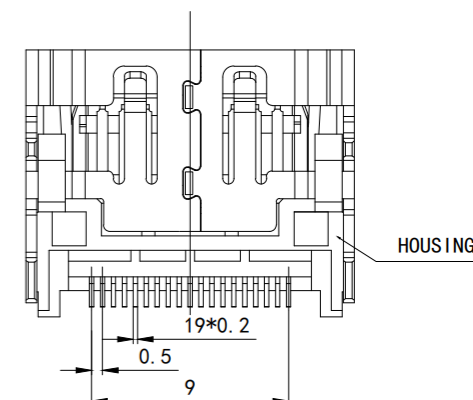
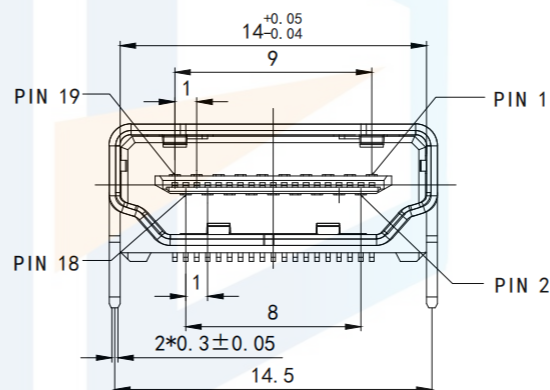
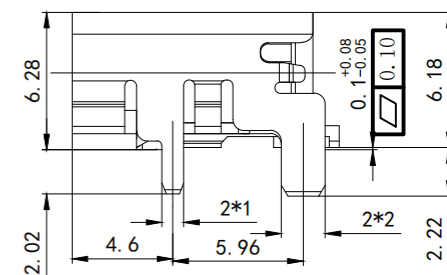
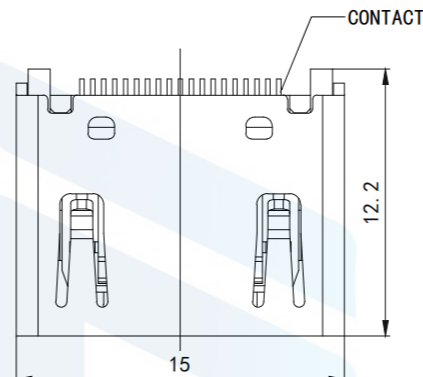
MATING FACE:44.1N MAX UNMATIN FACE:9.8N MIN;39.2N MAX  
DURABILITY:5000 CYCLES

**3. MATERIAL:**

HOUSING:THERMOPLASTICS HIGH TEMP LCP+GLASS FIBER BLACK  
COLOR,UL94V-0 CONTACT:COPPER ALLOY , T=0.20MM SHELL:COPPER  
ALLOY (SPCC) , T=0.50MM

**4. PLATING:**

CONTACT:1~30U" GOLD/TIN PLATING ON CONTACT AREA  
100U"MIN, TIN PLATING ON SOLDER TAILS 50U"MIN, NICKEL  
UNDERPLATING OVER ALL SHELL:80U", NICKEL UNDERPLATING  
OVER ALL



1. ELECTRICAL CHARACTERISTICS CONTACT CURRENT RATING:0.5 A  
DIELECTRIC WITHSTANDING VOLTANGE:300V AC INSULATION  
RESISTANCE:A. MATE 100MΩ MIN AT 500V/DC B. UNMATE 10MΩ MIN  
AT 150V/DC CONTACT RESISTANCE:30MΩ MAX TEMPERATURE  
RANGE:-20° C TO +85° C

2. MECHANICAL  
MATING FACE:44.1N MAX UNMATIN FACE:9.8N MIN;39.2N MAX  
DURABILITY:5000 CYCLES

3. MATERIAL:  
HOUSING:THERMOPLASTICS HIGH TEMP LCP+GLASS FIBER BLACK  
COLOR,UL94V-0 CONTACT:COPPER ALLOY , T=0.20MM SHELL:COPPER  
ALLOY (SPCC) , T=0.50MM

4. PLATING:  
CONTACT:1~30U" GOLD/TIN PLATING ON CONTACT AREA  
100U"MIN, TIN PLATING ON SOLDER TAILS 50U"MIN, NICKEL  
UNDERPLATING OVER ALL SHELL:80U", NICKEL UNDERPLATING  
OVER ALL

TOLERANCE	X. XXX	±0.05		东莞市恒祺电子科技有限公司 Dongguan Hengqi Electronic Technology Co., Ltd	
	X. XX	±0.15		<a href="https://www.hq-dz.com">https://www.hq-dz.com</a> phone:15812872448	
PROTECTON 	X. X	±0.20	TITLE: HDMI 19P板上型SMT贴板 ( 221款)		PART NO:HDMI-DF214
	X.	±0.30	DRAWING NO:15*12.2*6.28		DATE: 18-10-08 UNIT: mm
	ANGLE	±5.0°	DRAWN:	DATE: 18-10-08	SCALE: FULL
			CHECKED:	DATE: 18-10-08	SIZE: A4
			APPROVED:	DATE: 18-10-08	