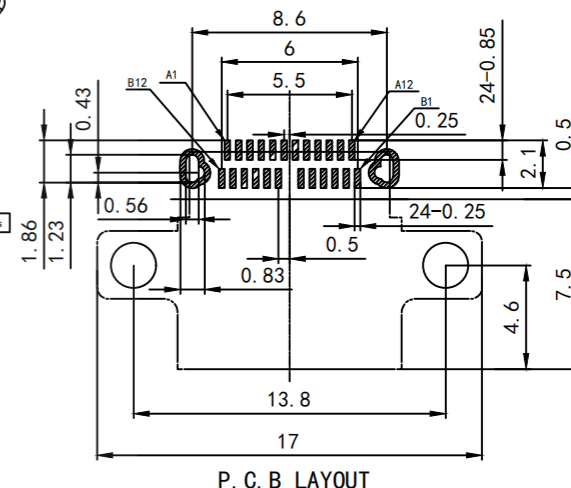
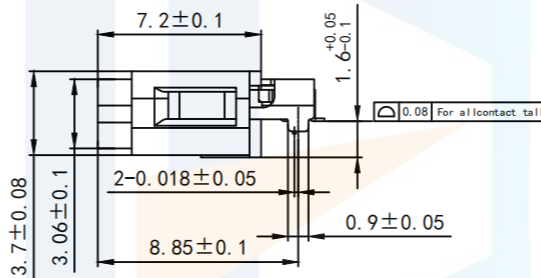
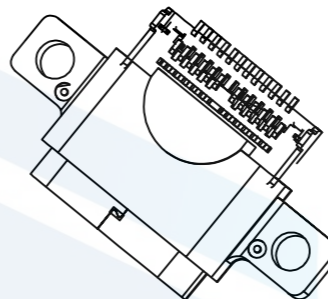
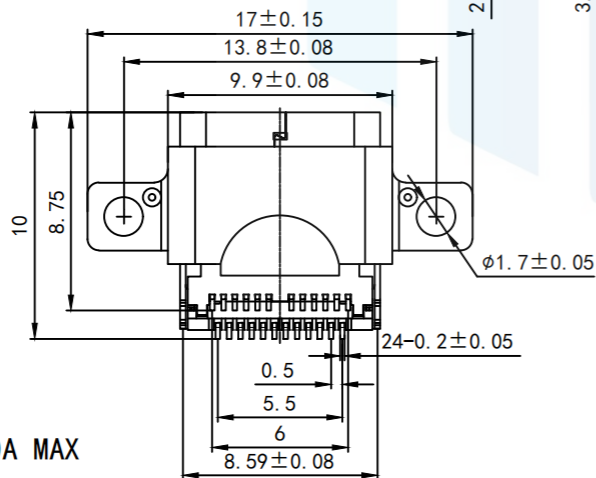
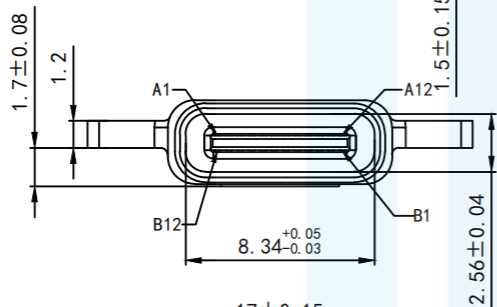
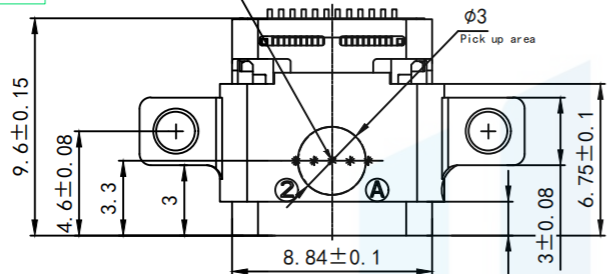
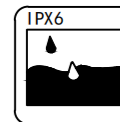


RoHS2.0  
Compliant

Date code  
Note 5



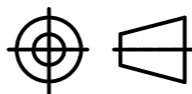
NOTES:

1. CURRENT RATING: 3.0A MAX
2. VOLTAGE: 100V AC
3. TEMPERATURE RANGE: -30°C ~ 85°C:
4. CONTACT RESISTANCE: 40 MILLIONHM MAX.
5. INSULATION RESISTANCE: 100M MEFOHMS MIN. 00N
6. INSERTION FORCE: 5N ~ 20N
7. NMATING FORCE: 8N ~ 20N
8. DURABILITY: 10,000 CYCLES.

TOLERANCE

X. XXX	±0.05
X. XX	±0.15
X. X	±0.20
X.	±0.30
ANGLE	±5.0°

PROTECTON



东莞市恒祺电子科技有限公司  
Dongguan Hengqi Electronic Technology Co., Ltd

<https://www.hq-dz.com>

phone: 15812872448

TITLE:

TYPE C 24PIN沉板1.6 M15M  
双排全贴带双耳

PART NO: TYPE-C24P-FS015

DRAWING NO: 17\*10\*3.7

DRAWN:

CHECKED:

APPROVED:

DATE:

DATE:

DATE:

18-10-08

18-10-08

18-10-08

UNIT:  
mm

SCALE:  
FULL

SIZE:  
A4