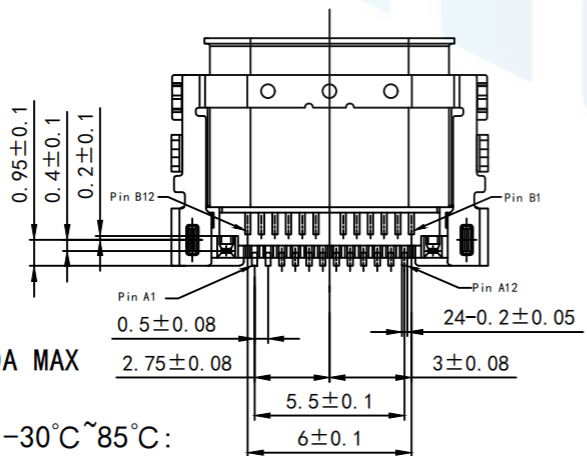
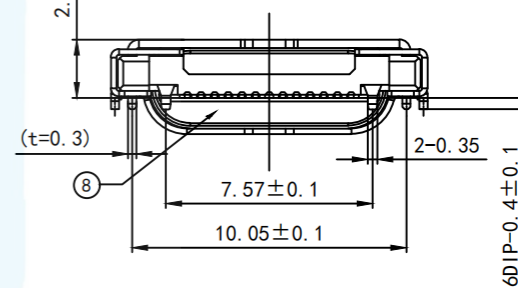
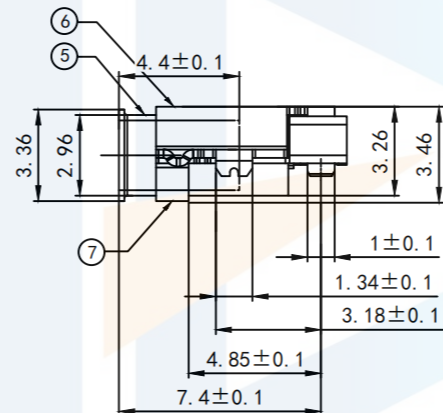
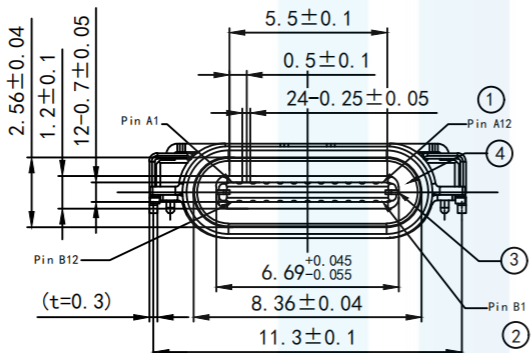
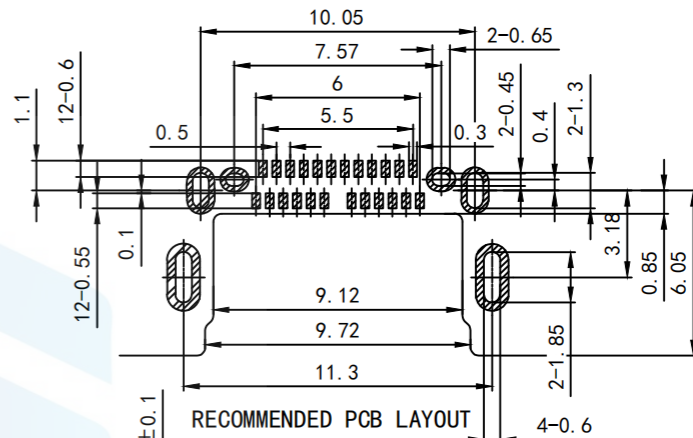
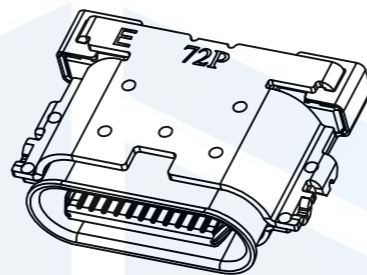
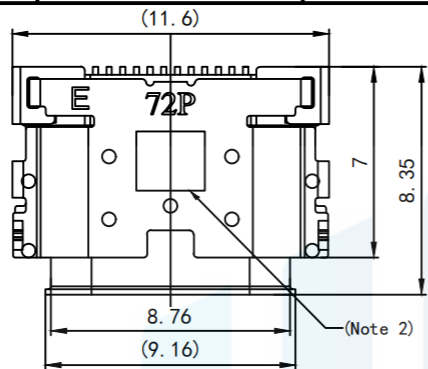
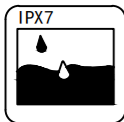


RoHS2.0
Compliant

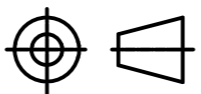


- NOTES:
- CURRENT RATING: 5.0A MAX
 - VOLTAGE: 100V AC
 - TEMPERATURE RANGE: -30°C ~ 85°C
 - CONTACT RESISTANCE: 40 MILLIONHM MAX.
 - INSULATION RESISTANCE: 100 MEFOHMS MIN
 - INSERTION FORCE: 5N ~ 20N
 - MATING FORCE: 8N ~ 20N
 - DURABILITY: 10,000 CYCLES.

TOLERANCE

X. XXX	±0.05
X. XX	±0.15
X. X	±0.20
X.	±0.30
ANGLE	±5.0°

PROTECTON



东莞市恒祺电子科技有限公司
Dongguan Hengqi Electronic Technology Co., Ltd

<https://www.hq-dz.com>

phone: 15812872448

TITLE:

TYPE C 24PIN沉板
双排全贴防水母座G6

PART NO: TYPE-C24P-FS0G6

DRAWING NO: 11.3*8.35*3.26

DRAWN:

CHECKED:

APPROVED:

DATE:

DATE:

DATE:

18-10-08

18-10-08

18-10-08

UNIT:
mm

SCALE:
FULL

SIZE:
A4