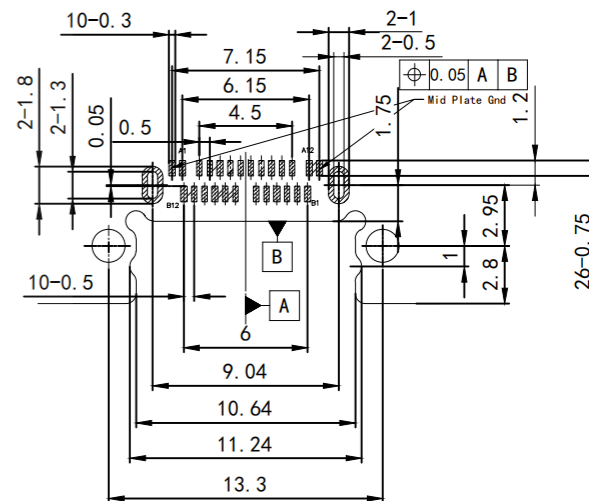
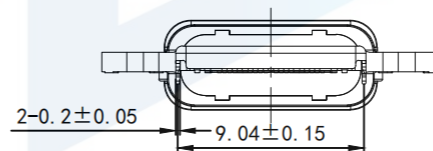
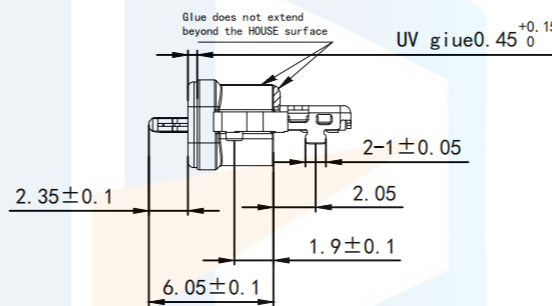
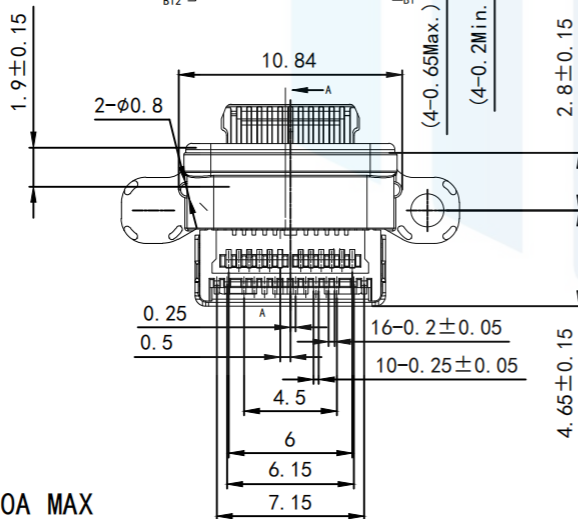
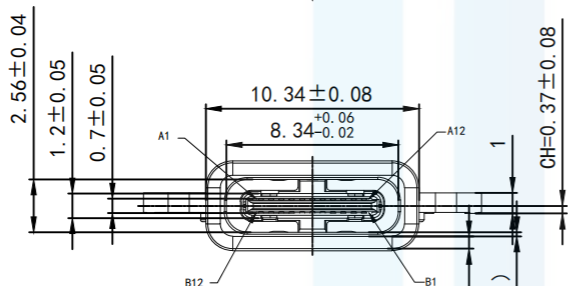
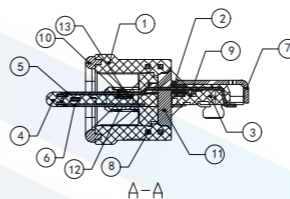
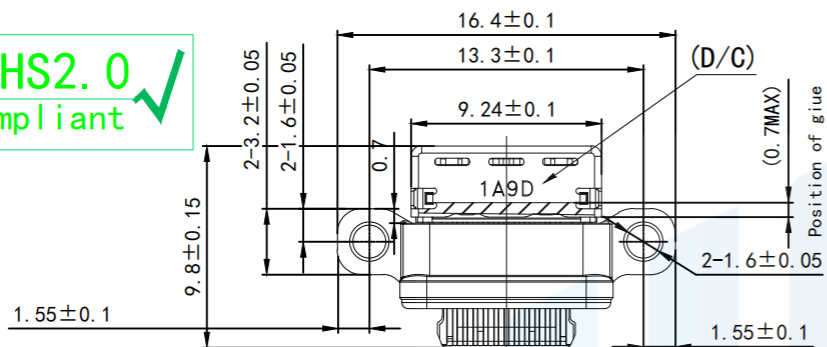
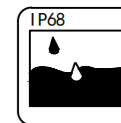


RoHS2.0
Compliant



PCB HOLES (TOP VIEW) $t=0.7\text{mm}$
DEFAULT TOLERANCE: ± 0.05

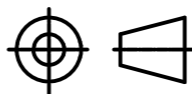
NOTES:

- CURRENT RATING: 3.0A MAX
- VOLTAGE: 100V AC
- TEMPERATURE RANGE: $-30^{\circ}\text{C} \sim 85^{\circ}\text{C}$:
- CONTACT RESISTANCE: 40 MILLIONHM MAX.
- INSULATION RESISTANCE: 100M MEFOHMS MIN. 00N
- INSERTION FORCE: 5N~20N
- NMATING FORCE: 8N~20N
- DURABILITY: 10,000 CYCLES

TOLERANCE

X. XXX	± 0.05
X. XX	± 0.15
X. X	± 0.20
X.	± 0.30
ANGLE	$\pm 5.0^{\circ}$

PROTECTON



东莞市恒祺电子科技有限公司
Dongguan Hengqi Electronic Technology Co., Ltd

<https://www.hq-dz.com>

phone: 15812872448

TITLE:

TYPE C 24PIN沉板CH=0.37双耳
舌头外露2.35

PART NO: TYPE-C24P-FS037

DRAWING NO: 16.4*9.8*2.56

DRAWN:

CHECKED:

APPROVED:

DATE:

DATE:

DATE:

18-10-08

18-10-08

18-10-08

UNIT:
mm

SCALE:
FULL

SIZE:
A4