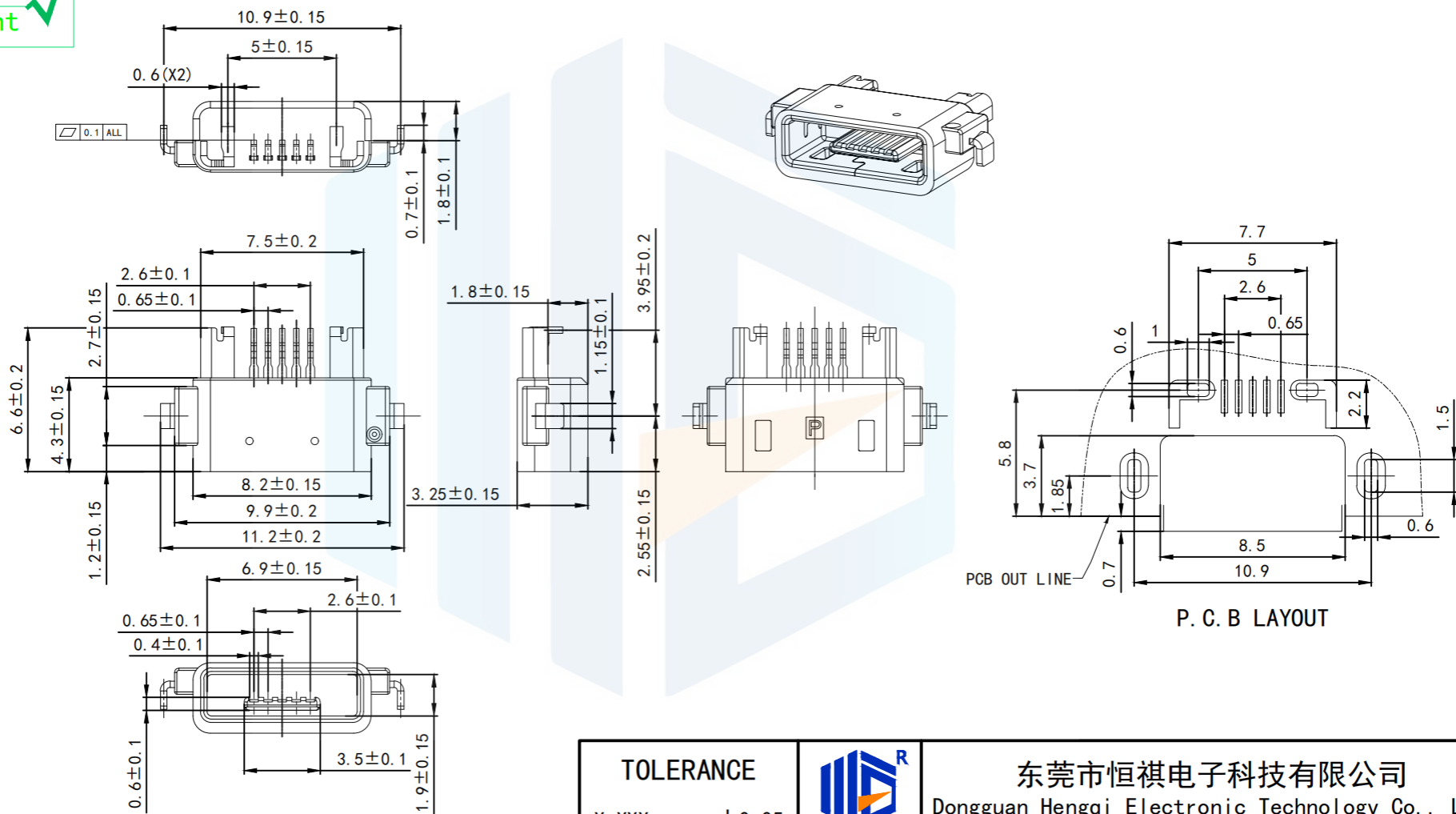


RoHS2.0
Compliant



P. C. B LAYOUT

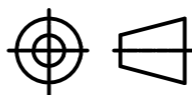
Specifacifion:

1. Current Rating: 1.0 AMP
2. Voltage Rating: 30V AC, DC
3. Dielectric Strength: 500V AC RMS for 1minute
4. Contact Resistance: 30mΩ Max
5. Insulator Resistance: 500MΩ Min. AT 250V DC
6. Mating/Unmating cycles: 2000cycles
7. Temperafure: -20°C to +60°C

TOLERANCE

| | |
|--------|-------|
| X. XXX | ±0.05 |
| X. XX | ±0.15 |
| X. X | ±0.20 |
| X. | ±0.30 |
| ANGLE | ±5.0° |

PROTECTON



东莞市恒祺电子科技有限公司
Dongguan Hengqi Electronic Technology Co., Ltd

<https://www.hq-dz.com>

phone: 15812872448

TITLE:

MICRO 5PIN 防水母座平口
L36

PART NO: MICRO5P-PL36FS

DRAWING NO: 11.2*4.3*3.25

DRAWN:

CHECKED:

APPROVED:

DATE:

DATE:

DATE:

18-10-08

18-10-08

18-10-08

UNIT:
mm

SCALE:
FULL

SIZE:
A4