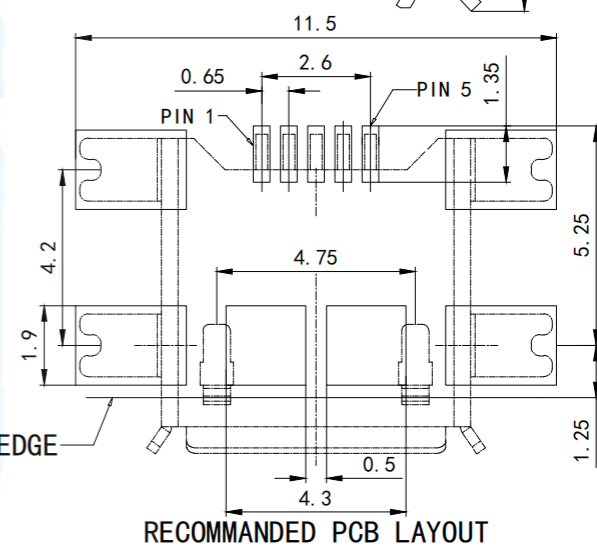
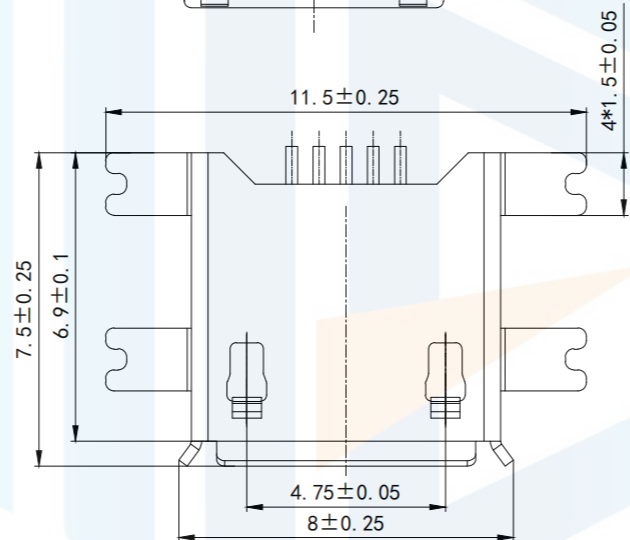
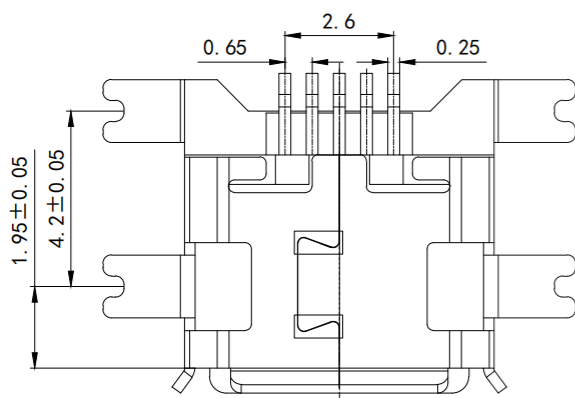
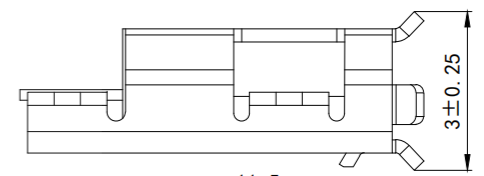
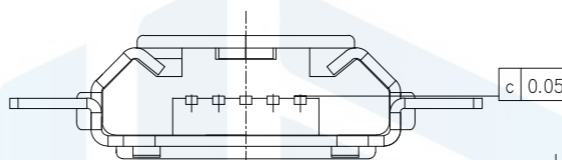
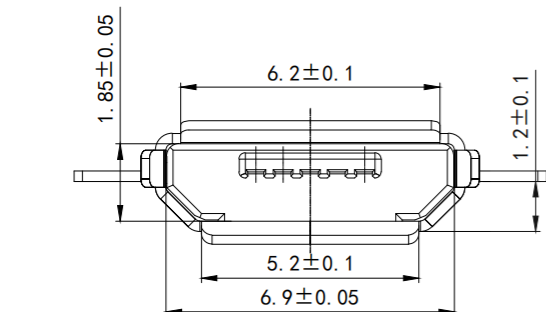


RoHS2.0
Compliant



Note:
 1. Product specifications:
 1-1. Insertion force :35N MAX1-2. Extraction force :10N MIN. INITIAL 8-20N AFTER
 -3. Rated current :1.0A
 -4. Rated voltage :30V
 1-5. Durability :10000CYCLES MIN.1-6. Voltage resistance :100V AC MIN1-7. Contact resistance: 30 mΩmax. NTIAL: 40 mΩmaxafter1-8. Insulation resistance :100MOMIN1-9.
 Working temperature :-30° TO+80
 2. Material :2.1 Rubber core :LGPUL94V-02.2 Terminal :C2680R-H, nickel base, gold-plated 1U"2.3 Shell :SUS201/301, surface mist tin/nickel plated

TOLERANCE	X. XXX	±0.05		东莞市恒祺电子科技有限公司 Dongguan Hengqi Electronic Technology Co., Ltd		
	X. XX	±0.15		https://www.hq-dz.com phone:15812872448		
PROTECTON 	X. X	±0.20	TITLE: Micro usb 5P沉板全贴卷边		PART NO:MICRO5P-CBS075	
	X.	±0.30	DRAWING NO:8*7.5*3			
	ANGLE	±5.0°	DRAWN:	DATE:	18-10-08	UNIT: mm
			CHECKED:	DATE:	18-10-08	SCALE: FULL
			APPROVED:	DATE:	18-10-08	SIZE: A4