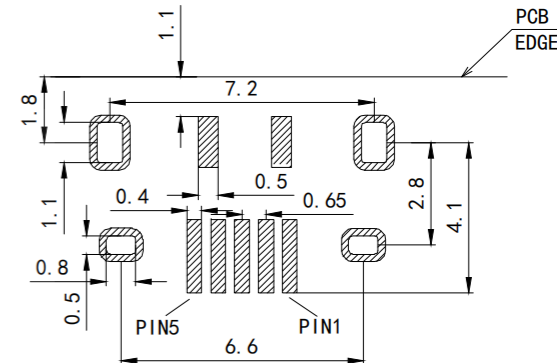
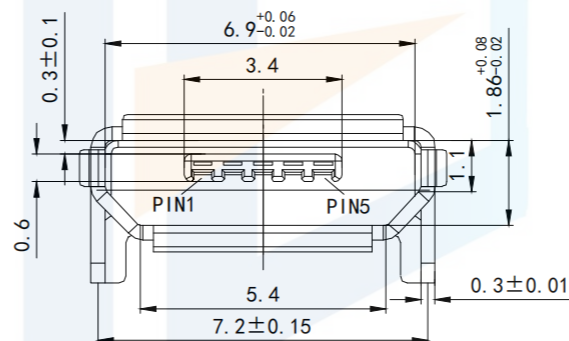
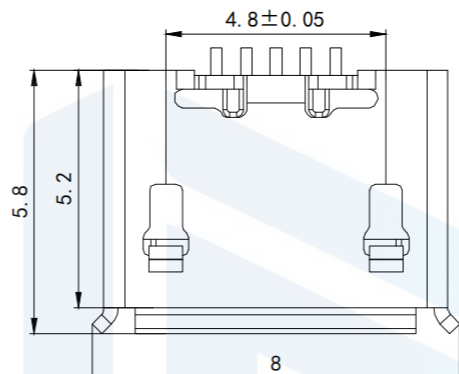
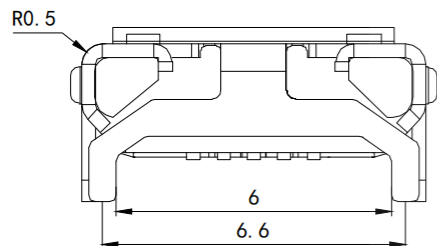
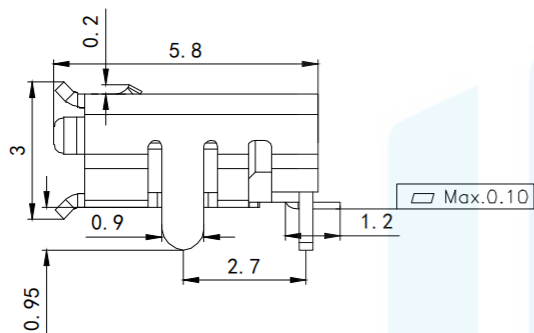
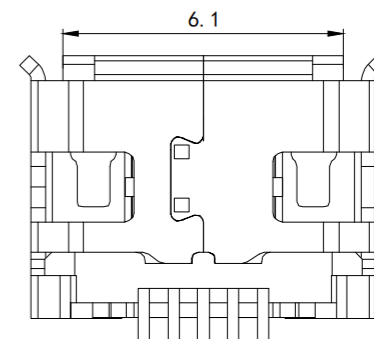


RoHS2.0  
Compliant



RECOMMEN. P. C. B LAYOUT (TOP VIEW)  
EFAULT YOLERANCE: ±0.05



Note:

1. Product specifications:

1-1. Insertion force :35N MAX1-2. Extraction force :10N MIN. INITIAL 8-20N AFTER

-3. Rated current :1.0A

-4. Rated voltage :30V

1-5. Durability :10000CYCLES MIN.1-6. Voltage resistance :100V AC MIN1-7. Contact resistance: 30 mΩmax. NTIAL: 40 mΩmaxafter1-8. Insulation resistance :100MOMIN1-9.

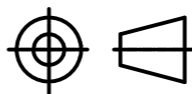
Working temperature :-30° TO+80

2. Material :2.1 Rubber core :LGPUL94V-02.2 Terminal :C2680R-H, nickel base, gold-plated 1U"2.3 Shell :SUS201/301, surface mist tin/nickel plated

TOLERANCE

X. XXX	±0.05
X. XX	±0.15
X. X	±0.20
X.	±0.30
ANGLE	±5.0°

PROTECTON



东莞市恒祺电子科技有限公司

Dongguan Hengqi Electronic Technology Co., Ltd

<https://www.hq-dz.com>

phone:15812872448

TITLE:

MICRO 5P大牛角6.6卷边

PART NO:MICR05P-P66DNJ

DRAWING NO:8\*5.8\*3

DRAWN:

CHECKED:

APPROVED:

DATE:

DATE:

DATE:

18-10-08

18-10-08

18-10-08

UNIT:  
mm

SCALE:  
FULL

SIZE:  
A4