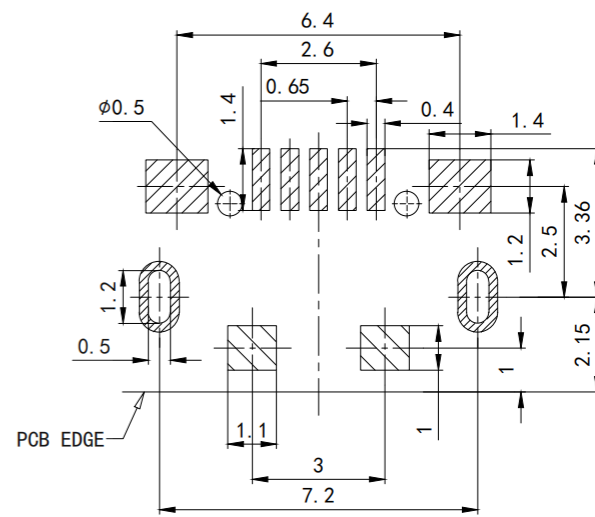
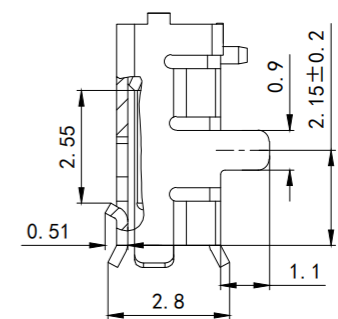
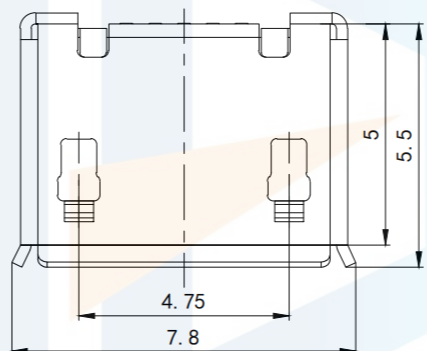
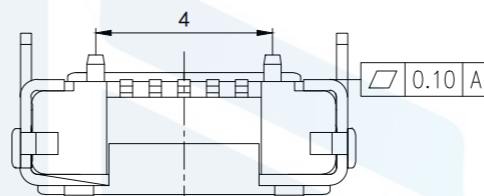
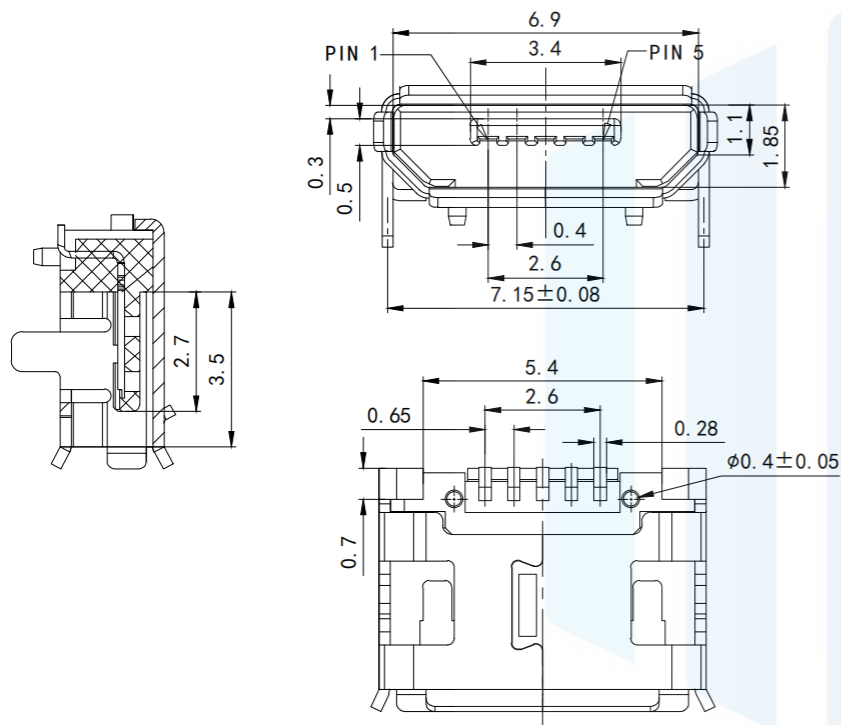


RoHS2.0  
Compliant



RECOMMENDED PCB LAYOUT

Instructions:

1. Rubber core :LCP black; UL94V-0.
2. Terminal :C2680 T=0.15mm, half gold nickel G/F(functional area)
3. Shell: C2680T =0.25mm, tinned
4. Fixed current :1 A maximum.
5. Withstand voltage :100V(AC)/1 minute at least
6. Contact impedance: 50mΩ Max
7. Insulation impedance: 100MΩ minimum
8. Insertion force: 3.57Kgf Max.
9. Pullout power: 1.0Kgf initial minimum; After the test, 0.81 Kgf is the smallest
10. Temperature range :-30° C~+80° C

TOLERANCE	X. XXX	±0.05		东莞市恒祺电子科技有限公司 Dongguan Hengqi Electronic Technology Co., Ltd		
	X. XX	±0.15		<a href="https://www.hq-dz.com">https://www.hq-dz.com</a>	phone:15812872448	
PROTECTON 	X. X	±0.20	TITLE: MICRO 5P板上7.2卷边		PART NO:MICR05P-BS0072	
	X.	±0.30	DRAWING NO:7.8*5.5*2.8			
	ANGLE	±5.0°	DRAWN:	DATE:	18-10-08	UNIT: mm
			CHECKED:	DATE:	18-10-08	SCALE: FULL
			APPROVED:	DATE:	18-10-08	SIZE: A4