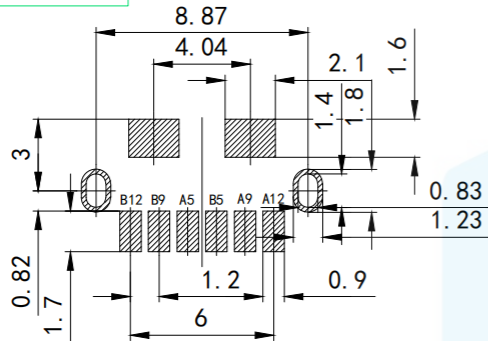
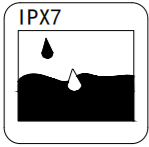


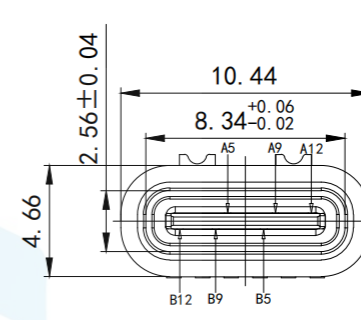
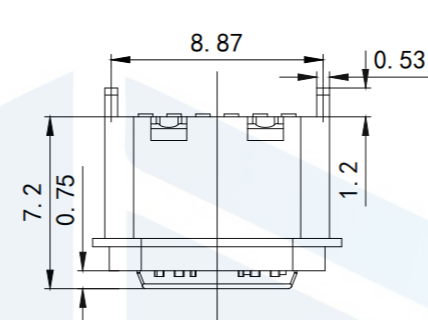
RoHS2.0  
Compliant



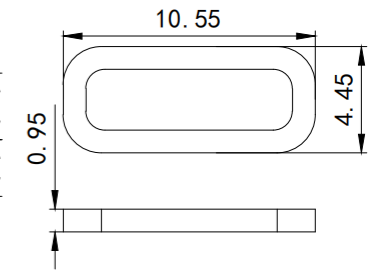
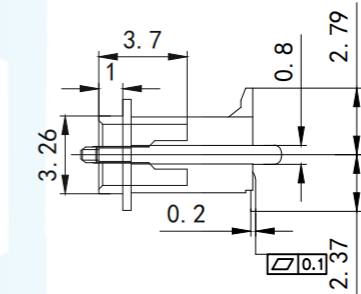
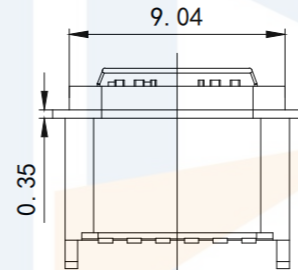
RECOMMEND P.C.B LAYOUT (COMPONENT SIDE)  
TOLERANCE FOR PCB LAYOUT IS  $\pm 0.05$

NOTE:

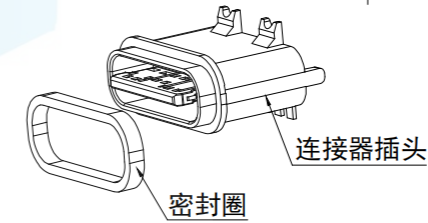
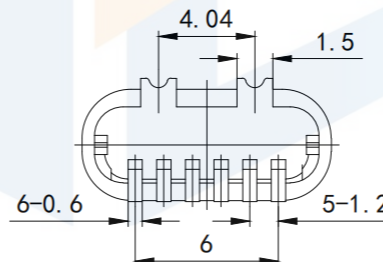
1. Electrical characteristics:
  - 1.1. Contact area: contact resistance 40m $\Omega$  Max, allowing 10m $\Omega$  variation  
Test conditions :20mv, 100mA measurement.
  - 1.2. Contact current: 3A VBUS pin; 1.25A for GND Pin; The other pins are 0.25A.
  - 1.3. Rated voltage: 5V.
  - 1.4. Withstand voltage: 100VAC.
  - 1.5. Insulation resistance: at least 100 megohm.
2. Mechanical properties:
  - 3.1. Insertion force: 0.5-2.0Kg
  - 3.2. Pullout force: 0.6-2.04Kg
  - 3.3. Insertion and removal times: 10000 times.
  4. Weldability: temperature 210-230 $^{\circ}$ C, time 10 seconds
  5. Working environment: -20 $^{\circ}$ C to +85 $^{\circ}$ C.



装前塞示意图



防水圈图



TOLERANCE			东莞市恒祺电子科技有限公司 Dongguan Hengqi Electronic Technology Co., Ltd		
X. XXX	$\pm 0.05$		https://www.hq-dz.com phone:15812872448		
X. XX	$\pm 0.15$	TITLE: TYPE C 6P 立贴防水母座L=7.20mm 粉末冶金/舌片外露0.75		PART NO:TYPE-C6P-LT1072FS	
X. X	$\pm 0.20$			DRAWING NO:10.44*4.66*7.2	
X.	$\pm 0.30$	DRAWN:		DATE:	18-10-08
ANGLE	$\pm 5.0^{\circ}$	CHECKED:		DATE:	18-10-08
PROTECTOR		APPROVED:		DATE:	18-10-08
				UNIT:	mm
				SCALE:	FULL
				SIZE:	A4