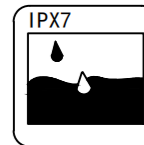


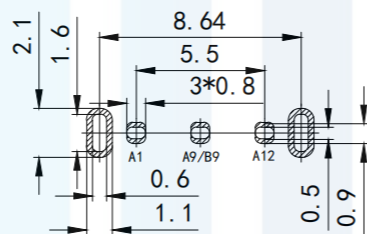
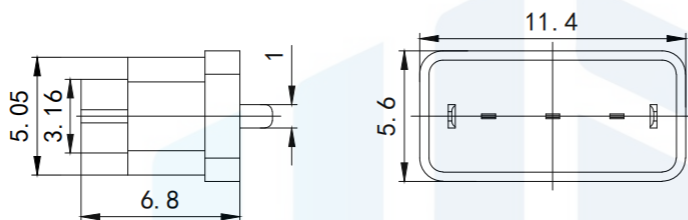
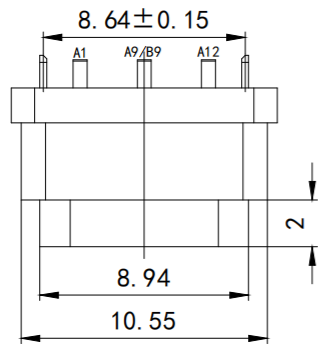
RoHS2.0
Compliant



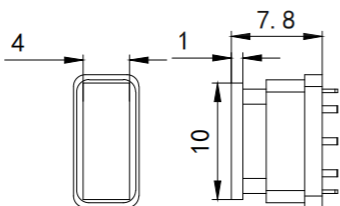
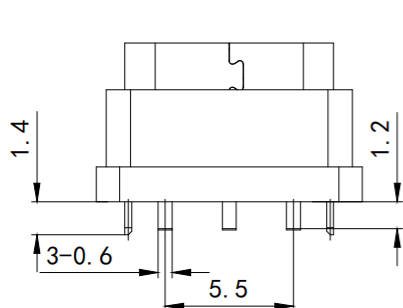
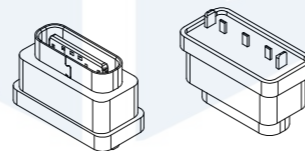
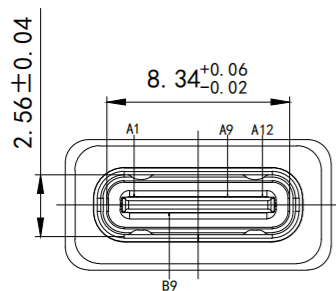
NOTES:

SPECIFICATION:



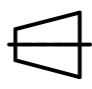
1. CURRENT RATING: 3.0 A
2. VOLTAGE RATING: 3.0 V
3. VBUS & GND PINS AND OTHER PINS:
40mΩ/PIN MAX
SHIELD: 50mΩ/MAX
LLCR MAX. CHANGE OF ALL PINS: 10Ωm
4. INSULATION RESISTANCE: 100MΩ MIN
5. DIELECTRIC WITHSTAND VOLTAGE, AC 100V
FOR 1MINUTE
6. INSERTION FORCE: 0.5~2.0kgf
7. UNMATING FORCE: 0.8~2.0kgf
8. DURABILITY: 10000 CYCLES
9. OPERATING TEMPERATURE: -35° C~+85° C
10. THE PEAK TEMPERATURE ON THE BOARD
SHALL BE MAINTAINED FOR 10 SECONDS AT
210-230° C
11. WATERPROOF: IP-X7.



RECOMMEND P. C. B LAYOUT (COMPONENT SIDE)
TOLERANCE FOR PCB LAYOUT IS ±0.05



装前塞示意图

TOLERANCE	X. XXX	±0.05		东莞市恒祺电子科技有限公司 Dongguan Hengqi Electronic Technology Co., Ltd				
	X. XX	±0.15		https://www.hq-dz.com phone:15812872448				
PROTECTON	X. X	±0.20	TITLE: TYPE C 3P 立插防水母座H=6.8mm	PART NO:TYPE-C3P-LC1068FS				
	X.	±0.30		DRAWING NO:11.4*5.6*6.8				
 	ANGLE	±5.0°	DRAWN:		DATE:	18-10-08	UNIT:	mm
			CHECKED:		DATE:	18-10-08	SCALE:	FULL
			APPROVED:		DATE:	18-10-08	SIZE:	A4