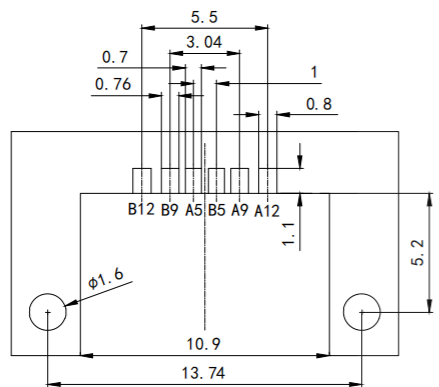
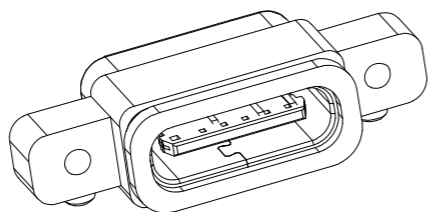
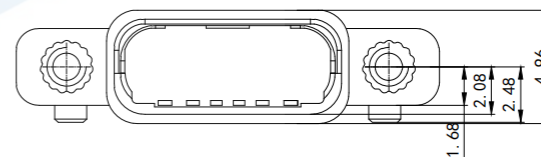
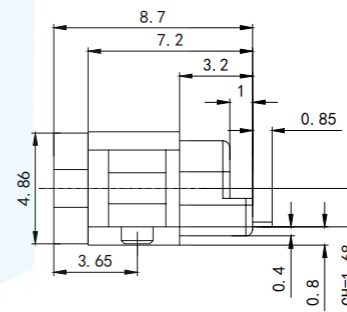
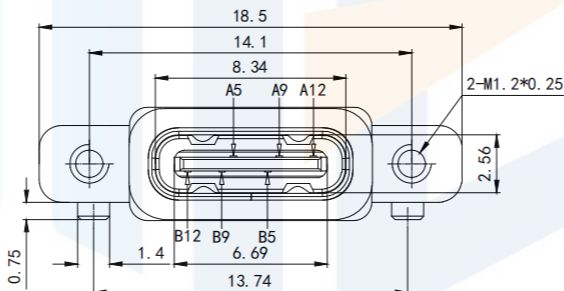
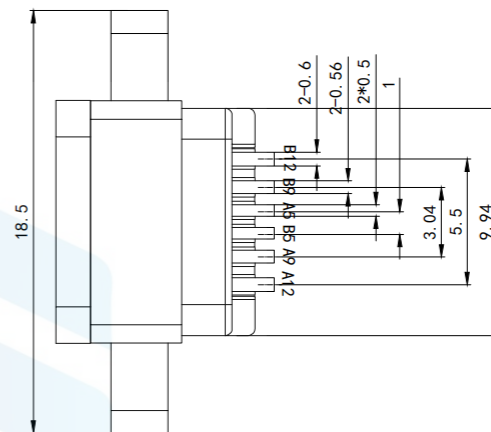
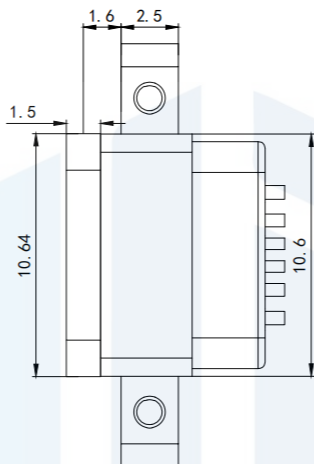
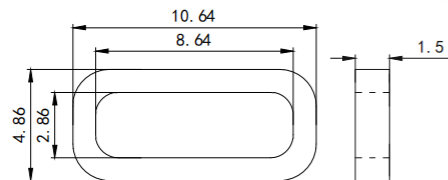


RoHS2.0
Compliant



RECOMMEND P. C. B LAYOUT
TOLERANCE UNSPECIFIED ± 0.05

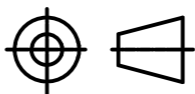


- NOTES:
SPECIFICATION:
1. CURRENT RATING: 3.0A MAX
 2. VOLTAGE: 100 VAC
 3. TEMPERATURE RANGE: 40 MILLIONHM MAX
 4. INSULATION FORCE: 40MILLIONHM MAX
 5. INSULATION RESISTANCE: 100MEGOHMS MIN
 6. INSERTION FORCE: 8N~20N
 8. DURABILITY: 10000 CYCLES
 9. WATER PROOFNESS: THIS PRODUCT IS BASED ON IPX7

TOLERANCE

X. XXX	± 0.05
X. XX	± 0.15
X. X	± 0.20
X.	± 0.30
ANGLE	$\pm 5.0^\circ$

PROTECTON



东莞市恒祺电子科技有限公司
Dongguan Hengqi Electronic Technology Co., Ltd

<https://www.hq-dz.com>

phone: 15812872448

TITLE:

TYPE C 6PIN带双耳螺丝孔防水母座

PART NO: TYPE-C6P-BS1087FS

DRAWING NO: 18.5*4.86*8.7

DRAWN:

CHECKED:

APPROVED:

DATE:

DATE:

DATE:

18-10-08

18-10-08

18-10-08

UNIT:
mm

SCALE:
FULL

SIZE:
A4