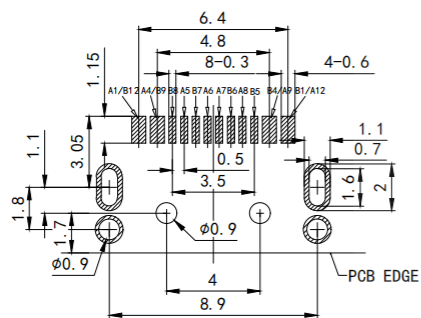
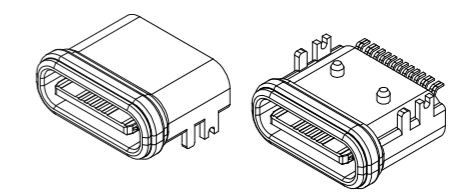
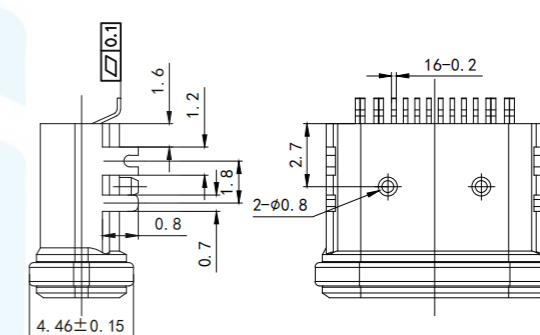
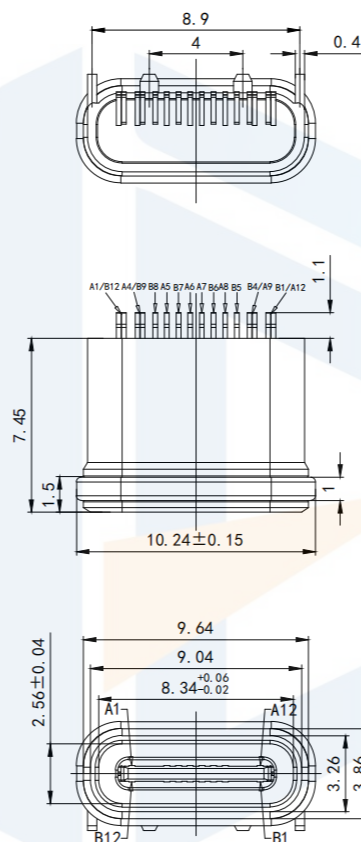


RoHS2.0
Compliant



RECOMMEND P. C. B LAYOUT
TOLERANCE UNSPECIFIED ± 0.05



- NOTES:
SPECIFICATION:
- CURRENT RATING: 3.0 A
 - VOLTAGE RATING: 3.0 V
 - VBUS & GND PINS AND OTHER PINS: 40mΩ/PIN MAX
SHIELD: 50mΩ/MAX LLGR MAX. CHANGE OF ALL PINS: 10Ωm
 - INSULATION RESISTANCE: 100MΩ MIN
 - DIELECTRIC WITHSTAND VOLTAGE, AC 100V FOR 1MINUTE
 - INSERTION FORCE: 0.5~2.0kgf
 - UNMATING FORCE: 0.8-2.0kgf
 - DURABILITY: 10000 CYCLES
 - OPERATING TEMPERATURE: -35° C~+85° C
 - THE PEAK TEMPERATURE ON THE BOARD SHALL BE MAINTAINED FOR 10 SECONDS AT 210-230° C
 - WATERPROOF: IP-X7.

TOLERANCE	X. XXX	±0.05		东莞市恒祺电子科技有限公司 Dongguan Hengqi Electronic Technology Co., Ltd	
	X. XX	±0.15		https://www.hq-dz.com phone:15812872448	
PROTECTON	X. X	±0.20	TITLE: TYPE C 16P 防水母座板上 L=7.5mm 粉末冶金	PART NO:TYPE-C16P-BS275FS	
	X.	±0.30		DRAWING NO:10.24*4.46*7.5	
	ANGLE	±5.0°	DRAWN:	DATE:	18-10-08
			CHECKED:	DATE:	18-10-08
			APPROVED:	DATE:	18-10-08
				UNIT:	mm
				SCALE:	FULL
				SIZE:	A4