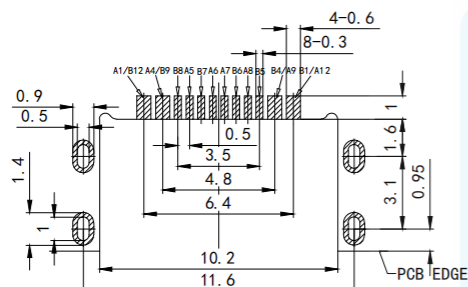
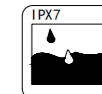
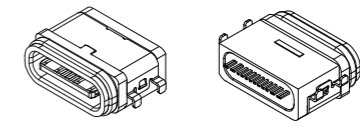
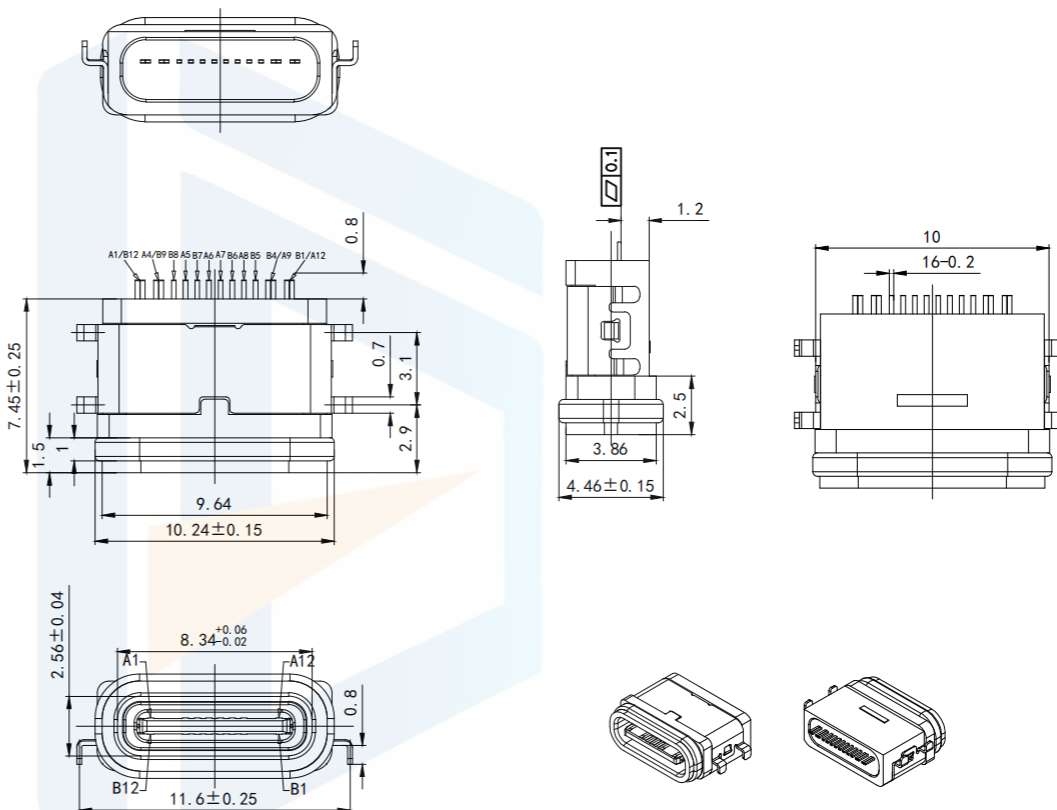


RoHS2.0  
Compliant



RECOMMEND P. C. B LAYOUT  
TOLERANCE UNSPECIFIED  $\pm 0.05$



NOTES:

SPECIFICATION:

1. CURRENT RATING: 3.0 A
2. VOLTAGE RATING: 3.0 V
3. VBUS & GND PINS AND OTHER PINS: 40mΩ/PIN MAX  
SHIELD: 50mΩ/MAX LLGR MAX. CHANGE OF ALL PINS: 10Ωm
4. INSULATION RESISTANCE: 100MΩ MIN
5. DIELECTRIC WITHSTAND VOLTAGE, AC 100V FOR 1MINUTE
6. INSERTION FORCE: 0.5~2.0kgf
7. UNMATING FORCE: 0.8-2.0kgf
8. DURABILITY: 10000 CYCLES
9. OPERATING TEMPERATURE: -35° C~+85° C
10. THE PEAK TEMPERATURE ON THE BOARD SHALL BE MAINTAINED FOR 10 SECONDS AT 210-230° C
11. WATERPROOF: IP-X7.

<b>TOLERANCE</b> X. XXX $\pm 0.05$ X. XX $\pm 0.15$ X. X $\pm 0.20$ X. $\pm 0.30$ ANGLE $\pm 5.0^\circ$			<b>东莞市恒祺电子科技有限公司</b> Dongguan Hengqi Electronic Technology Co., Ltd		
			<a href="https://www.hq-dz.com">https://www.hq-dz.com</a> phone:15812872448		
<b>PROTECTON</b> 		<b>TITLE:</b> TYPE C 16P 防水母座沉板1.2 L=7.45mm U型全塑		<b>PART NO:</b> TYPE-C16P-CB412FS	
		<b>DRAWN:</b>		<b>DATE:</b> 18-10-08	
		<b>CHECKED:</b>		<b>DATE:</b> 18-10-08	
<b>APPROVED:</b>		<b>DATE:</b> 18-10-08		<b>UNIT:</b> mm <b>SCALE:</b> FULL <b>SIZE:</b> A4	