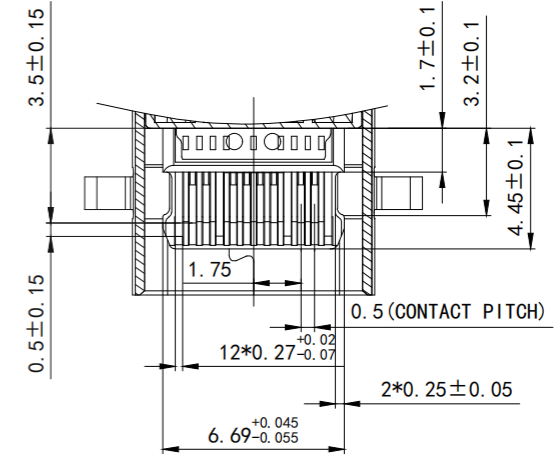
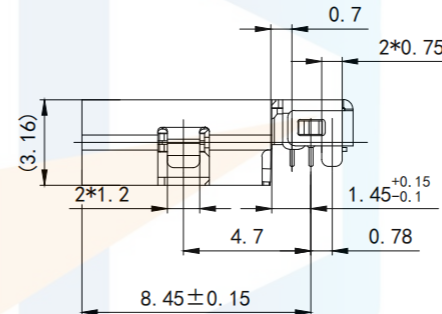
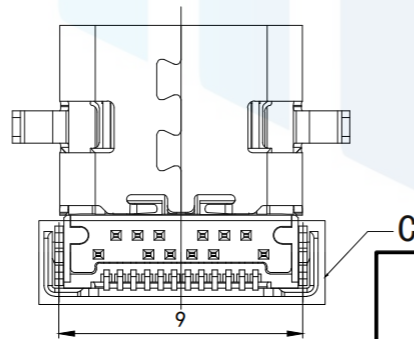
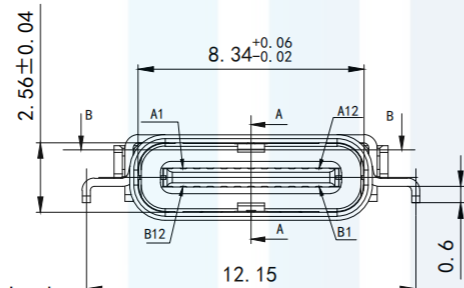
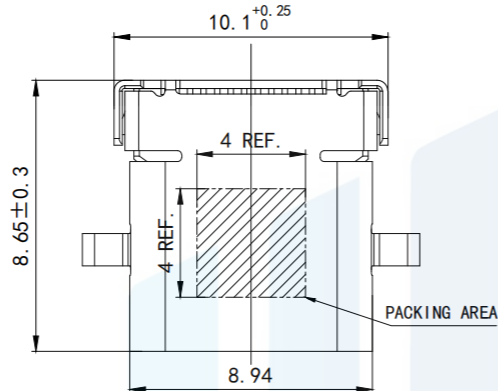
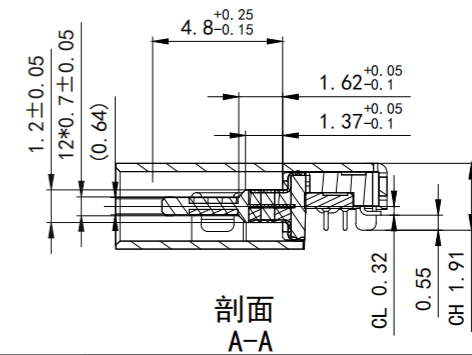


RoHS2.0  
Compliant



剖面  
B-B



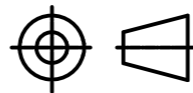
剖面  
A-A

Notes:  
Material?  
1.1 Glue: 1CpU94V ( Color: Black  
1.2 terminal: C7025.1=0.15mm  
1.5 outside: 50S5047 = 0.30mm  
14. Shielding element: 5053047-010mm  
1.5 Clip: 5053011=0.120010  
2. Plating:  
2.1 Terminals: gold plating in the contact area, tin plating 100 in the soldering area: "nickel bottom 30 in the whole area:  
2.2 Shell: Plated solderable nickel 50u"  
2.5 Shielding shell & clip: cleaning  
Electrical Properties:  
Maximum Touch Resistance: 40mΩ max., 50mΩ 3.1 after testing  
32 Insulation Resistance: 100mΩ Min (DC 100V)  
At 33 hours, the electricity K: AC10CV for one minute  
34 RATED CURRENT: 5A (20 MA)  
Mechanical Properties:  
41 Insertion force: 5~2 (small.)  
42 Pulling force: 8~20N, after a long test: 6~20N  
Durability: 10,000 cycles  
Salt spray : 24 hours  
Reflow soldering: 260° C: 5° C  
Hazardous substances comply with VAST-M01-W22 "Environmental Management Substance Control Standard"  
Environmental protection requirements in VGP-B day

TOLERANCE

X. XXX	±0.05
X. XX	±0.15
X. X	±0.20
X.	±0.30
ANGLE	±5.0°

PROTECTON



东莞市恒祺电子科技有限公司  
Dongguan Hengqi Electronic Technology Co., Ltd

<https://www.hq-dz.com>

phone: 15812872448

TITLE:  
TYPE C 24P沉板短体前插后贴  
CH=1.91

PART NO: TYPE-C24P-CB009

DRAWING NO: 10\*8.94\*3.16

DRAWN:

CHECKED:

APPROVED:

DATE: 18-10-08

DATE: 18-10-08

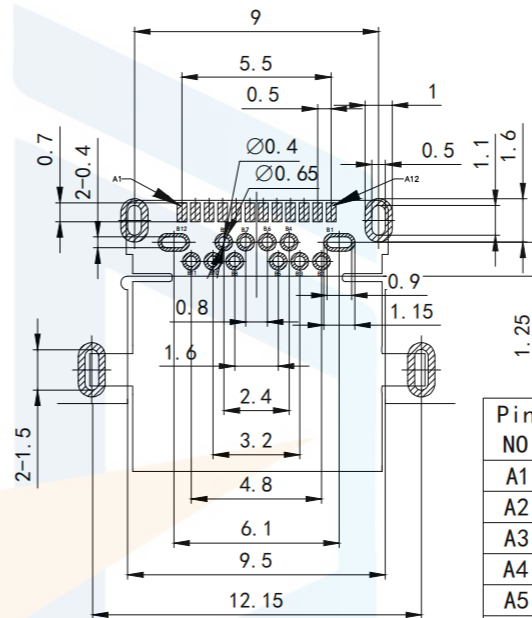
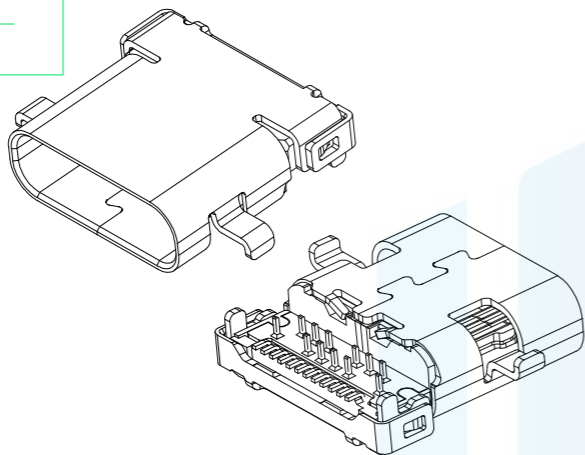
DATE: 18-10-08

UNIT:  
mm

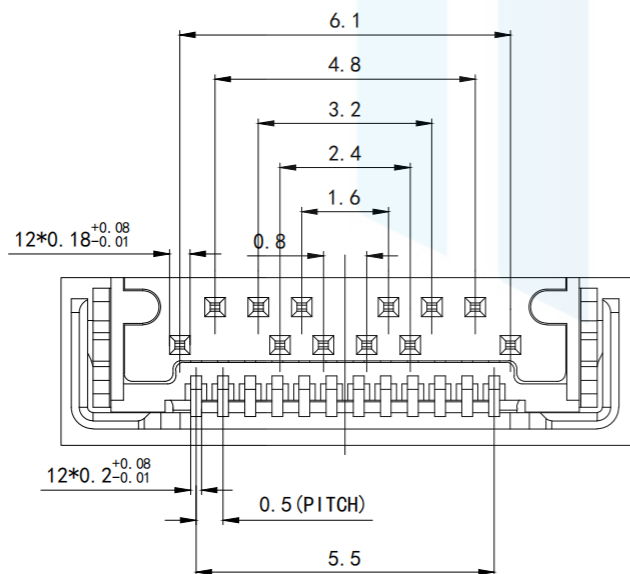
SCALE:  
FULL

SIZE:  
A4

RoHS2.0  
Compliant



RECOMMEND P.C.B LAYOUT (COMPONENT SIDE)  
TOLERANCE FOR PCB LAYOUT IS  $\pm 0.05$   
KEEP OUT AREA



SCALE  
C:2:1

Pin NO	Signal Name	Mating Sequence	Pin NO	Signal Name	Mating Sequence
A1	GND	First	B12		First
A2	TX1+	Second	B11	RX2+	Second
A3	TX1-	Second	B10	RX2-	Second
A4	VBUS	First	B9	VBUS	First
A5	CC1	Second	B8	SBU1	Second
A6	D+	Second	B7	D-	Second
A7	D-	Second	B6	D+	Second
A8	SBU1	Second	B5	CC1	Second
A9	VBUS	First	B4	VBUS	First
A10	RX2-	Second	B3	TX1-	Second
A11	RX2+	Second	B2	TX1+	Second
A12	GND	First	B1	GND	First
SHELL	GND	First	SHELL	GND	First

TOLERANCE

X. XXX	$\pm 0.05$
X. XX	$\pm 0.15$
X. X	$\pm 0.20$
X.	$\pm 0.30$
ANGLE	$\pm 5.0^\circ$



东莞市恒祺电子科技有限公司  
Dongguan Hengqi Electronic Technology Co., Ltd

<https://www.hq-dz.com>

phone:15812872448

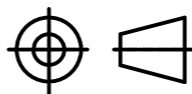
TITLE:

TYPE C 24P沉板短体前插后贴  
CH=1.91

PART NO:TYPE-C24P-CB009

DRAWING NO:10\*8.94\*3.16

PROTECTON



DRAWN:

CHECKED:

APPROVED:

DATE:

DATE:

DATE:

18-10-08

18-10-08

18-10-08

UNIT:  
mm

SCALE:  
FULL

SIZE:  
A4