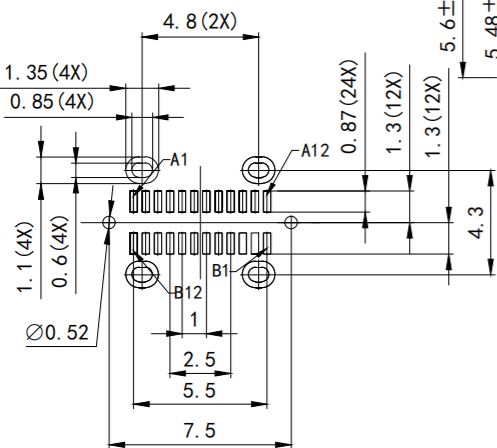


RoHS2.0
Compliant

Pin NO	Signal Name	Pin NO	Signal Name
A1	GND	B12	
A2	TX1+	B11	RX2+
A3	TX1-	B10	RX2-
A4	VBUS	B9	VBUS
A5	CC1	B8	SBU1
A6	D+	B7	D-
A7	D-	B6	D+
A8	SBU1	B5	CC1
A9	VBUS	B4	VBUS
A10	RX2-	B3	TX1-
A11	RX2+	B2	TX1+
A12	GND	B1	GND
SHELL	GND	SHELL	GND



RECOMMENDED P. C. B. LAYOUT
TOLERANCE UNSPECIFIED $\pm 0.05\text{mm}$

Note:

1. Material:

1.1 Housing: LCP

1.2 Contact: C7025, T=0.15mm

1.3 Shell: SUS304 T=0.3mm

2. ELECTRICAL:

2-1: CURRENT RATING:

VBUS AND GND CONTACTS RATED AT 1.25A PARALLELED FOR A TOTAL OF 5A:

2-2: INITIAL CONTACT RESISTANCE : 40 MEGOHMS

2-3: DIELECTRIC WITHSTANDING VOLTAGE: 100V AC MIN;

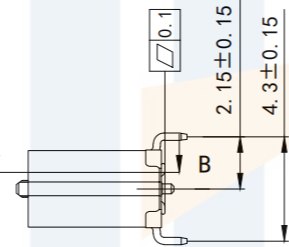
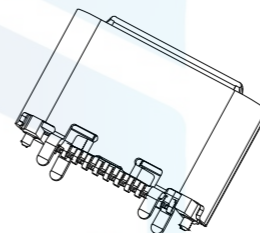
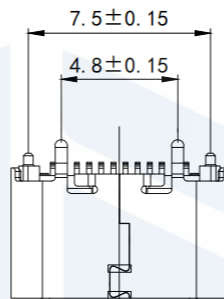
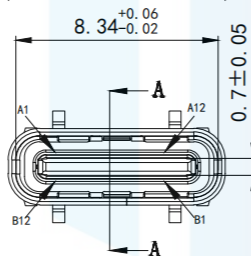
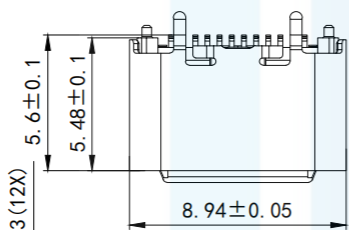
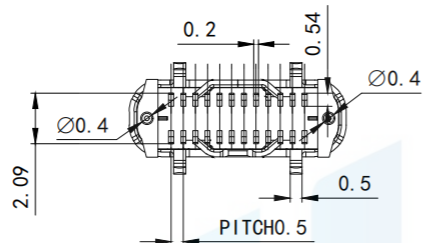
3: MECHANICAL CHARACTERISTICS:

3-1: MATING FORCE: 5~20N

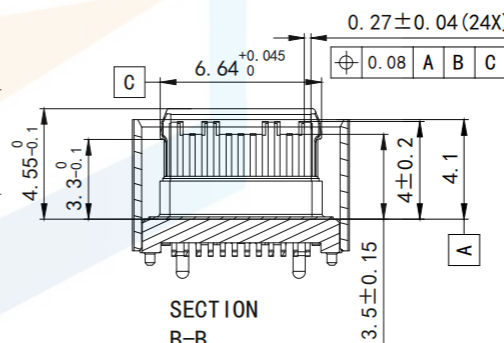
3-2: UNMATING FORCE: 8~20N (INITIAL) 6~20N (AFTER 10000 CYCLES)

3-3: FREQUENCY: 200 ± 50 CYCLES / HOUR, 10000 CYCLES

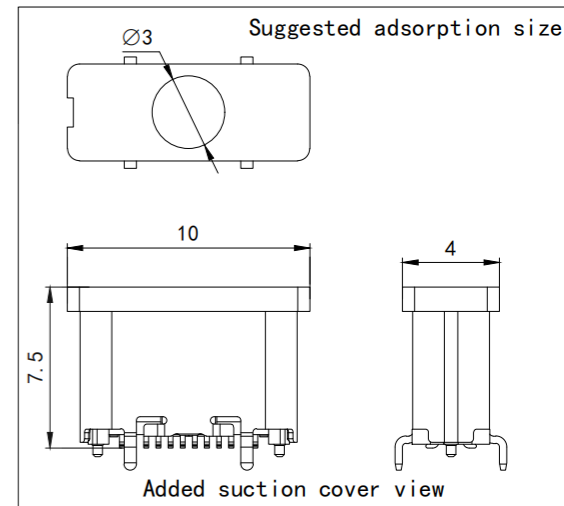
3-4: OPERATING TEMPERATURE : -40°~80



SECTION
B-B
SCALE 1:1



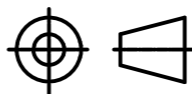
SECTION
A-A
SCALE 1:1



TOLERANCE

X. XXX	± 0.05
X. XX	± 0.15
X. X	± 0.20
X.	± 0.30
ANGLE	$\pm 5.0^\circ$

PROTECTON



东莞市恒祺电子科技有限公司

Dongguan Hengqi Electronic Technology Co., Ltd

<https://www.hq-dz.com>

phone: 15812872448

TITLE:

TYPE C 24P 立式贴片 H=5.60
4脚插板

PART NO: TYPE-C24P-LT056

DRAWING NO: 8.94*5.6*3.16

DRAWN:

CHECKED:

APPROVED:

DATE:

DATE:

DATE:

18-10-08

18-10-08

18-10-08

UNIT:
mm

SCALE:
FULL

SIZE:
A4