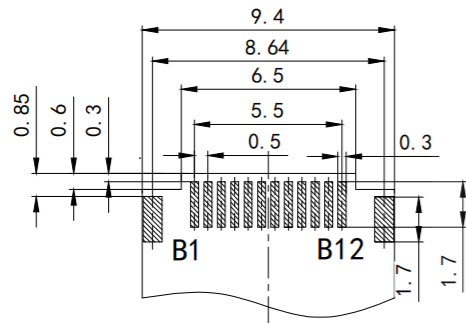
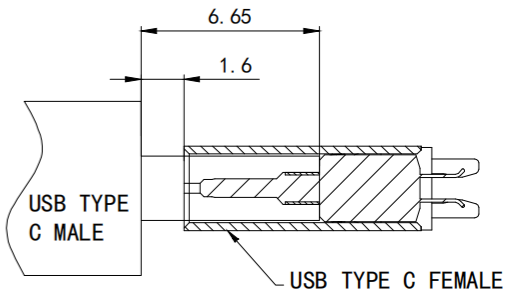
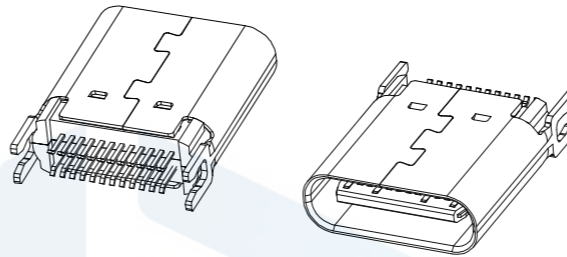
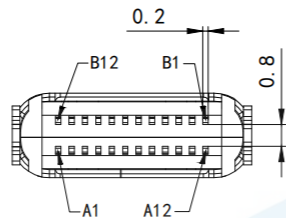
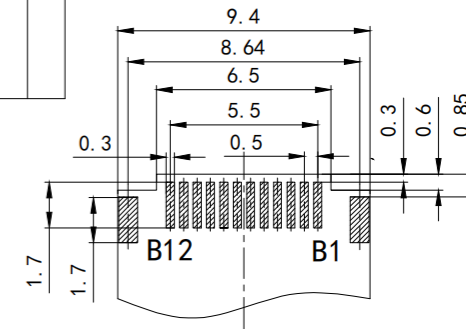
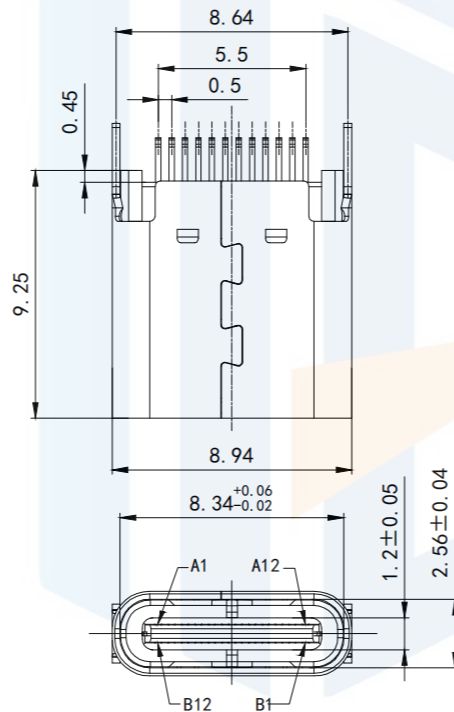


RoHS2.0  
Compliant



RECOMMENDED P. C. B. LAYOUT (TOP VIEW)  
THICKNESS 0.8.0±0.05MM;EDFAULT TOLERANCE: ±0.05



BOTTOM VIEW

NOTE:

1. Electrical Characteristics:

1-1: Current Rating: 5A For Pin (A4, A9, B4, B9)

1.25A For Pin (B5)

0.25A For Others Pin

1-2: VOLTAGE RATING: 5.0V

1-3: Insulation Resistance: 100M $\Omega$  Min.

1-4: Contact Resistance:

VBUS & GND PINS AND OTHER PINS: 40m $\Omega$ /PIN MAX

SHIELD: 50m $\Omega$ /MAX! SHIELD: LLCR MAX. CHANGE

OF ALL PINS: 10m $\Omega$ .

1-5: Dielectric Withstanding Voltage:

100V/AC 1 Minute

2. Mechanical Characteristics:

Insertion Force: 5~20N

Extraction Force: Initial: 8~20N

After durability: 6~20N

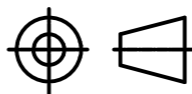
Durability: 10000 Cycles

30 operating Temperature: -25°C TO +85°C

TOLERANCE

X. XXX	±0.05
X. XX	±0.15
X. X	±0.20
X.	±0.30
ANGLE	±5.0°

PROTECTON



东莞市恒祺电子科技有限公司

Dongguan Hengqi Electronic Technology Co., Ltd

<https://www.hq-dz.com>

phone: 15812872448

TITLE:

TYPE C 24P 夹板 0.8 短体  
L=9.25

PART NO: TYPE-C24P-JB009

DRAWING NO: 9.25\*8.94\*3.16

DRAWN:

CHECKED:

APPROVED:

DATE:

DATE:

DATE:

18-10-08

18-10-08

18-10-08

UNIT:

SCALE:

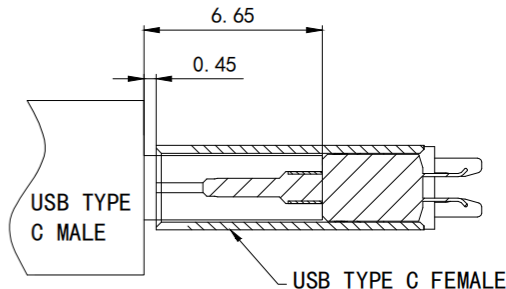
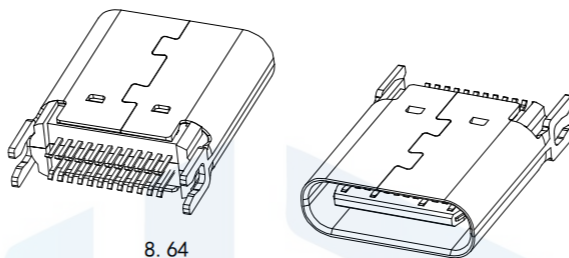
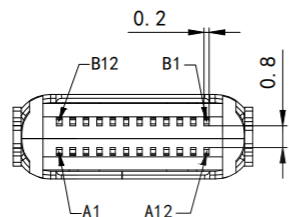
SIZE:

mm

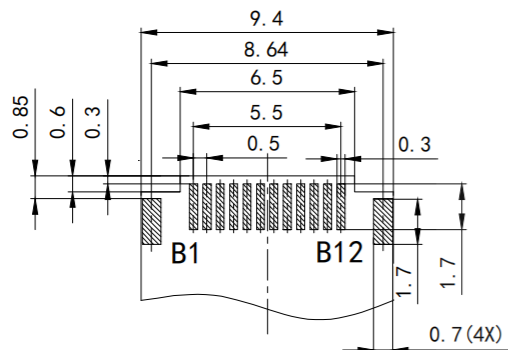
FULL

A4

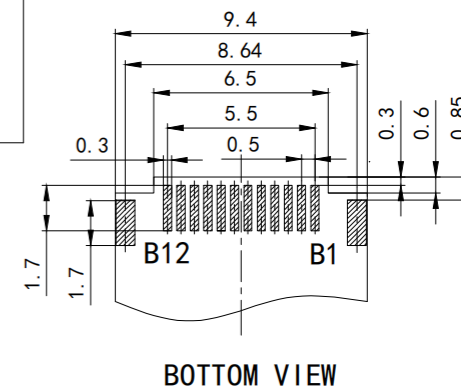
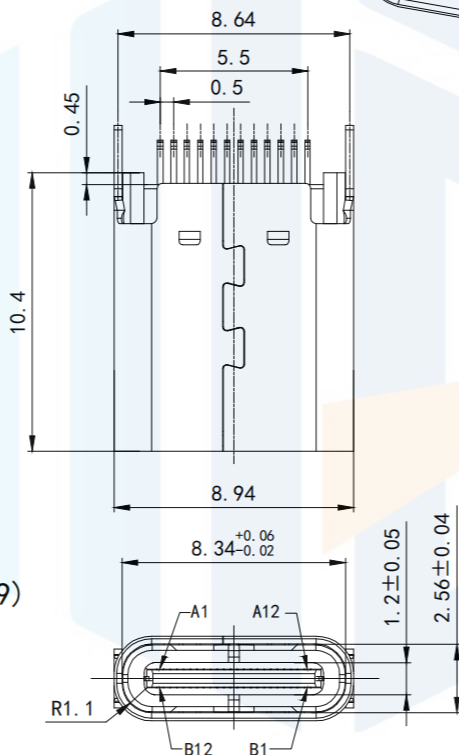
RoHS2.0  
Compliant



AFTER ASSEMBLY



RECOMMENDED P. C. B. LAYOUT (TOP VIEW)  
THICKNESS 0.8.0±0.05MM;EDFAULT TOLERANCE: ±0.05



BOTTOM VIEW

NOTE:

1. Electrical Characteristics:

1-1: Current Rating: 5A For Pin (A4, A9, B4, B9)

1.25A For Pin (B5)

0.25A For Others Pin

1-2: VOLTAGE RATING: 5.0V

1-3: Insulation Resistance: 100M $\Omega$  Min.

1-4: Contact Resistance:

VBUS & GND PINS AND OTHER PINS: 40m $\Omega$ /PIN MAX

SHIELD: 50m $\Omega$ /MAX! SHIELD: LLCR MAX. CHANGE

OF ALL PINS: 10m $\Omega$ .

1-5: Dielectric Withstanding Voltage:

100V/AC 1 Minute

2. Mechanical Characteristics:

Insertion Force: 5~20N

Extraction Force: Initial: 8~20N

After durability: 6~20N

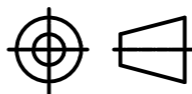
Durability: 10000 Cycles

3. Operating Temperature: -25°C TO +85°C

TOLERANCE

X. XXX	±0.05
X. XX	±0.15
X. X	±0.20
X.	±0.30
ANGLE	±5.0°

PROTECTON



东莞市恒祺电子科技有限公司

Dongguan Hengqi Electronic Technology Co., Ltd

<https://www.hq-dz.com>

phone: 15812872448

TITLE:

TYPE C 24P夹板0.8长体  
L=10.4

PART NO: TYPE-C24P-JB010

DRAWING NO: 10.4\*8.94\*3.16

DRAWN:

CHECKED:

APPROVED:

DATE:

18-10-08

UNIT:  
mm

DATE:

18-10-08

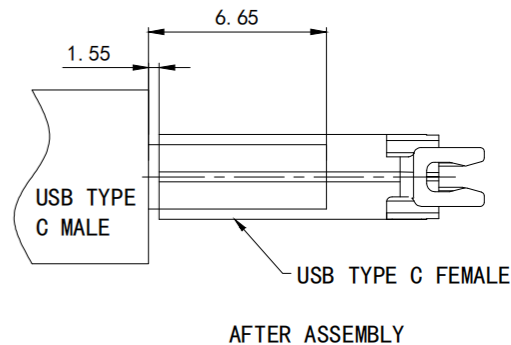
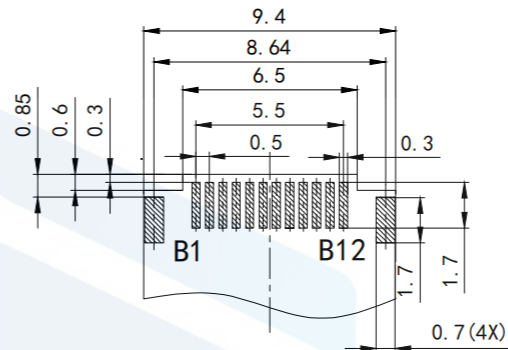
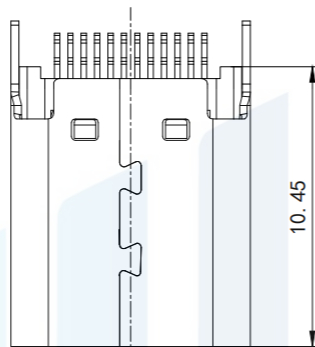
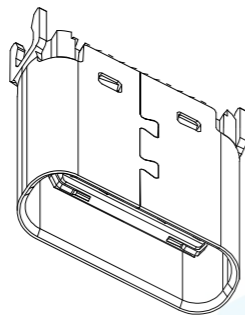
SCALE:  
FULL

DATE:

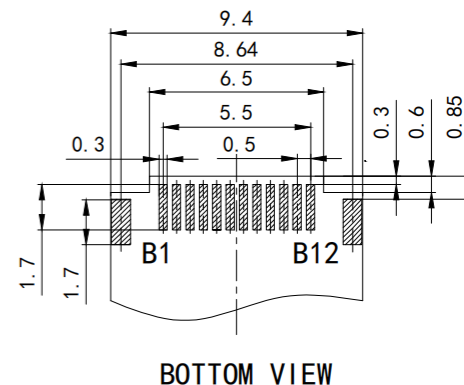
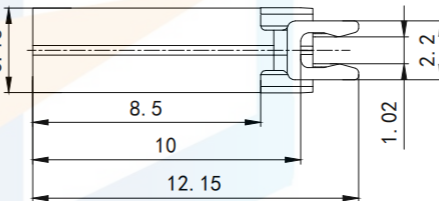
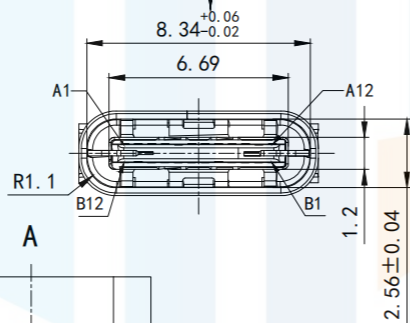
18-10-08

SIZE:  
A4

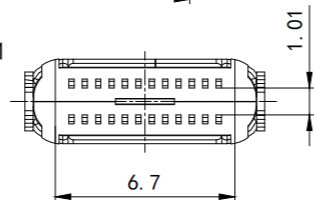
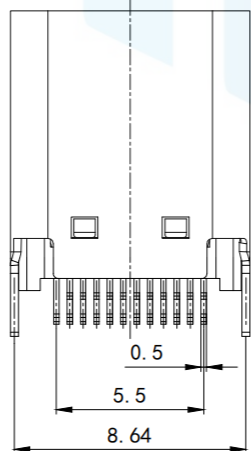
**RoHS2.0**  
Compliant



RECOMMENDED P. C. B. LAYOUT (TOP VIEW)  
THICKNESS 0.8.0±0.05MM;EDFAULT TOLERANCE: ±0.05



BOTTOM VIEW



**NOTE:**

1. MATERIAL SPECIFICATION:

1. HOUSING:

1. HIGH TEMPERATURE RESISTANT PLASTIC(LCP), UL94 V-0.

2. CONTACTS: COPPER ALLOY (C1814) T=0.12mm

3. MID PLATE: STAINLESS STEEL (SUS301) T=0.20mm

4. EMI PLATE: STAINLESS STEEL (SUS301) T=0.10mm

5. SHELL: STAINLESS STEEL (SUS304) T=0.30mm

2. PLATING SPECIFICATION:

2-1. CONTACTS: Ni 50U" MIN. UNDER PLATED OVER ALL. AU PLATED ON THE FUNCTIONAL AREA OF CONTACT (GOLD PLATING THICKNESS FOLLOW THE P/N) PLATING SPECIFICATIONS OF THE SOLDER AREA FOLLOW THE P/N

2-2. FRONT SHELL&OUTER SHELL:  
Ni 30U" MIN. UNDER PLATED OVER ALL

2-3. MID PLATE:  
Ni 30U" MIN. UNDER PLATED OVER ALL

2-4. EMI PLATE: CLEAR ONLY

3. MECHANICAL PERFORMANCE

3-1. INSERTION FORCE: 0.5~2.0kgf.

3-2. REMOVAL FORCE: 0.8kgf~2.0kgf

3-3. DURABILITY: 10000 CYCLES.

4. ELECTRICAL PERFORMANCE,

4-1. CURRENT RATING: 5.0A

VOLTAGE RATING: 5.0V

4-2. LLCR:

VBUS & GNDPINS ANDOTHER PINS: 40mΩ/PIN

MAX. SHIELD: 50mΩ/MAX

LLCR MAX. CHANGE OF ALL PINS: 10mΩ.

4-3. INSULATION RESISTANCE: 100MΩMIN

4-4. DIELECTRIC WITHSTAND VOLTAGE, AC 100V FOR 1 MINUTE

5. ENVIRONMENTAL PERFORMANCE: OPERATING TEMPERATURE: -25C~+85'C.

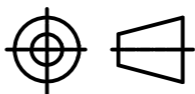
6. IR REFLOW:

THE PEAK TEMPERATURE ON THE BOARD SHALL BE MAINTAINED FOR 10 SECONDS AT 260C.

**TOLERANCE**

X. XXX	±0.05
X. XX	±0.15
X. X	±0.20
X.	±0.30
ANGLE	±5.0°

**PROTECTON**



**东莞市恒祺电子科技有限公司**  
Dongguan Hengqi Electronic Technology Co., Ltd

<https://www.hq-dz.com>

phone: 15812872448

TITLE:

TYPE C 24P夹板1.0长体  
L=10.45

PART NO: TYPE-C24P-JB011

DRAWING NO: 10.45\*8.94\*3.16

DRAWN:

CHECKED:

APPROVED:

DATE:

DATE:

DATE:

18-10-08

18-10-08

18-10-08

UNIT:  
mm

SCALE:  
FULL

SIZE:  
A4

RoHS2.0  
Compliant

NOTE:

1. MATERIAL SPECIFICATION:

1. HOUSING:

1. HIGH TEMPERATURE RESISTANT PLASTIC(LCP), UL94 V-0.

2. CONTACTS: COPPER ALLOY(C1814) T=0.12mm

3. MID PLATE: STAINLESS STEEL (SUS301) T=0.20mm

4. EMI PLATE: STAINLESS STEEL (SUS301) T=0.10mm

5. SHELL: STAINLESS STEEL (SUS304) T=0.30mm

2. PLATING SPECIFICATION:

2-1. CONTACTS: Ni 50U" MIN. UNDER PLATED OVER ALL. AU PLATED ON THE FUNCTIONAL AREA OF CONTACT (GOLD PLATING THICKNESS FOLLOW THE P/N) PLATING SPECIFICATIONS OF THE SOLDER AREA FOLLOW THE P/N

2-2. FRONT SHELL&OUTER SHELL:

Ni 30U" MIN. UNDER PLATED OVER ALL

2-3. MID PLATE:

Ni 30U" MIN. UNDER PLATED OVER ALL

Sn 80U" MIN. PLATED OVER ALL

2-4. EMI PLATE: CLEAR ONLY

3. MECHANICAL PERFORMANCE

3-1. INSERTION FORCE: 0.5~2.0kgf.

3-2. REMOVAL FORCE: 0.8kgf~2.0kgf

3-3. DURABILITY: 10000 CYCLES.

4. ELECTRICAL PERFORMANCE,

4-1. CURRENT RATING: 5.0A

VOLTAGE RATING: 5.0V

4-2. LLGR:

VBUS & GNDPINS AND OTHER PINS: 40mΩ/PIN

MAX. SHIELD: 50mΩ/MAX

LLGR MAX. CHANGE OF ALL PINS: 10mΩ.

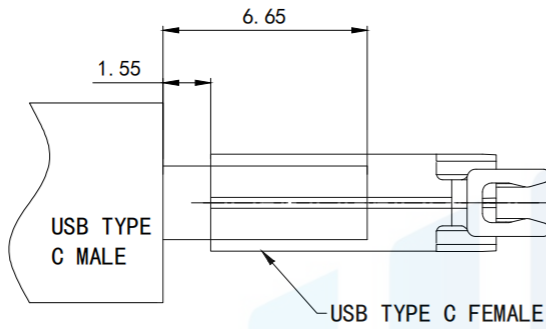
4-3. INSULATION RESISTANCE: 100MΩMIN

4-4. DIELECTRIC WITHSTAND VOLTAGE, AC 100V FOR 1 MINUTE

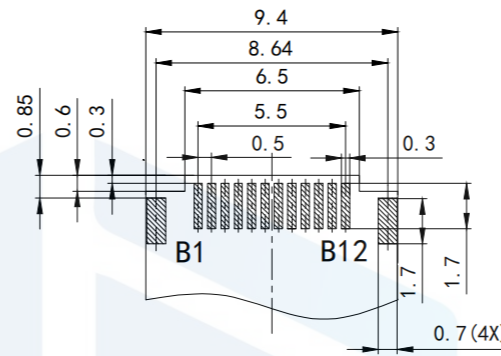
5. ENVIRONMENTAL PERFORMANCE: OPERATING TEMPERATURE: -25C~+85'C.

6. IR REFLOW:

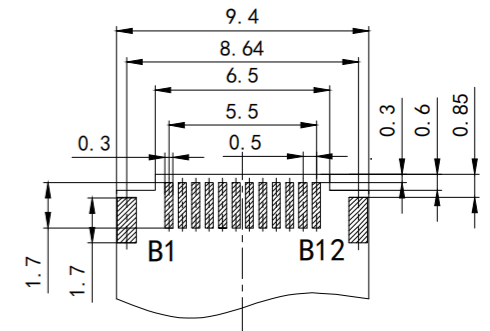
THE PEAK TEMPERATURE ON THE BOARD SHALL BE MAINTAINED FOR 10 SECONDS AT 260C.



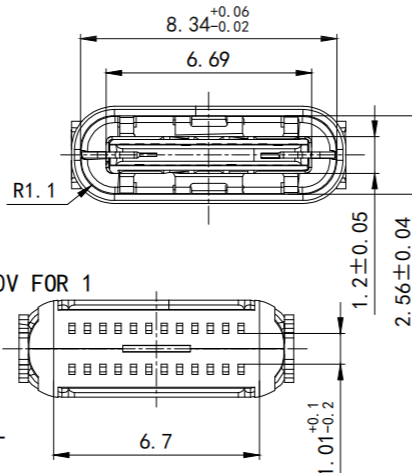
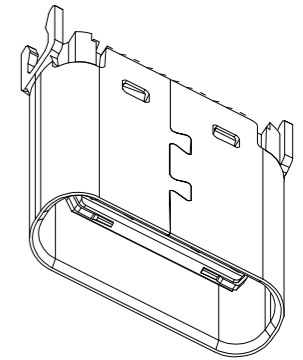
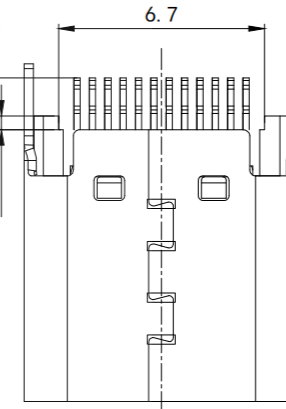
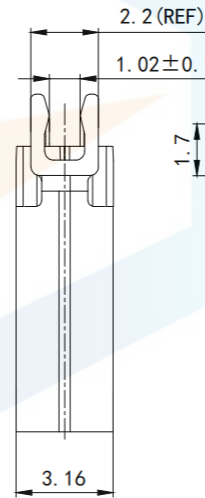
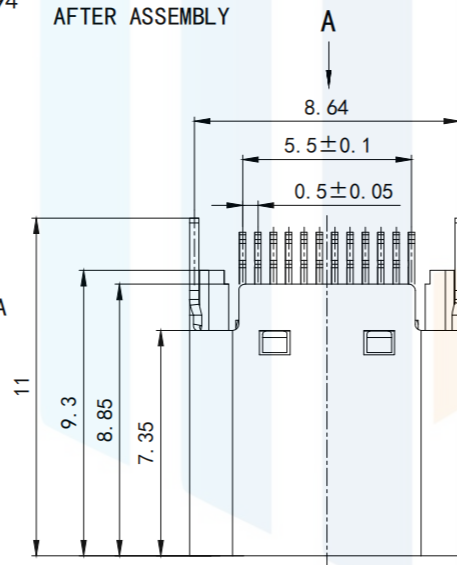
AFTER ASSEMBLY



RECOMMENDED P. C. B. LAYOUT (TOP VIEW)  
THICKNESS 0.8.0±0.05MM; EDFAULT TOLERANCE: ±0.05



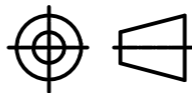
BOTTOM VIEW



TOLERANCE

X. XXX	±0.05
X. XX	±0.15
X. X	±0.20
X.	±0.30
ANGLE	±5.0°

PROTECTON



东莞市恒祺电子科技有限公司

Dongguan Hengqi Electronic Technology Co., Ltd

<https://www.hq-dz.com>

phone: 15812872448

TITLE:

TYPE C 24P夹板1.0短体  
L=8.85

PART NO: TYPE-C24P-JB012

DRAWING NO: 8.85\*8.94\*3.16

DRAWN:

DATE: 18-10-08

UNIT: mm

CHECKED:

DATE: 18-10-08

SCALE: FULL

APPROVED:

DATE: 18-10-08

SIZE: A4