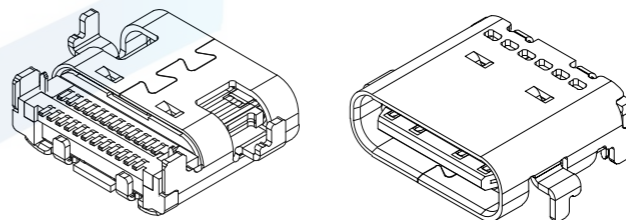
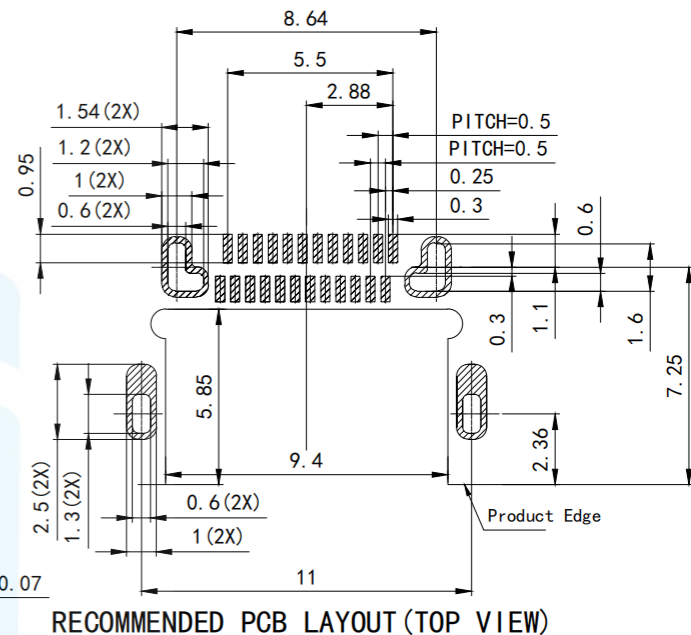
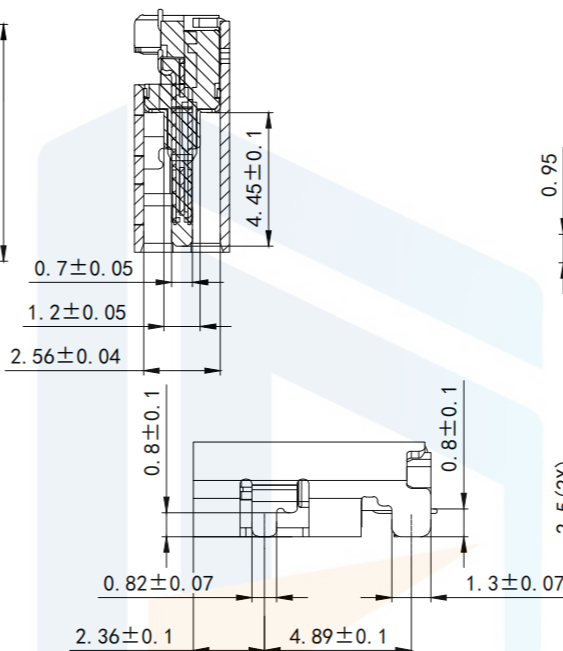
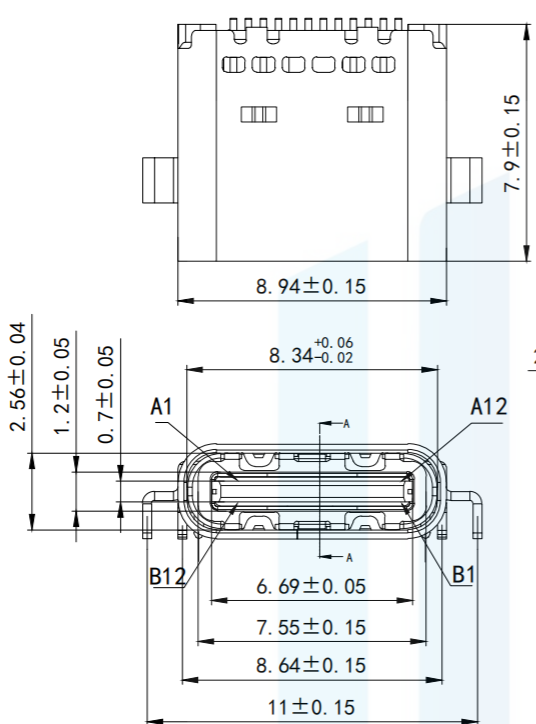
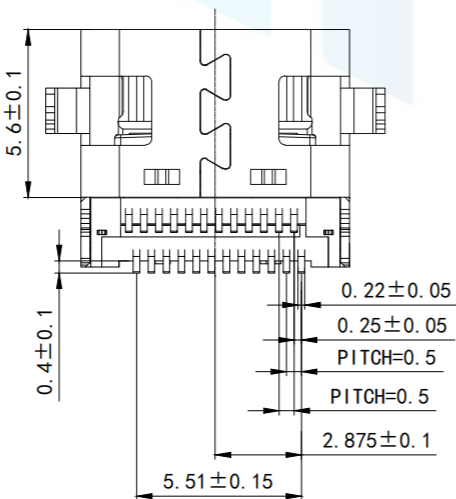



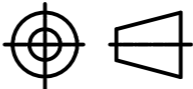
RoHS2.0
Compliant

Pin NO	Signal Name	Pin NO	Signal Name
A1	GND	B12	
A2	TX1+	B11	RX2+
A3	TX1-	B10	RX2-
A4	VBUS	B9	VBUS
A5	CC1	B8	SBU1
A6	D+	B7	D-
A7	D-	B6	D+
A8	SBU1	B5	CC1
A9	VBUS	B4	VBUS
A10	RX2-	B3	TX1-
A11	RX2+	B2	TX1+
A12	GND	B1	GND
SHELL	GND	SHELL	GND



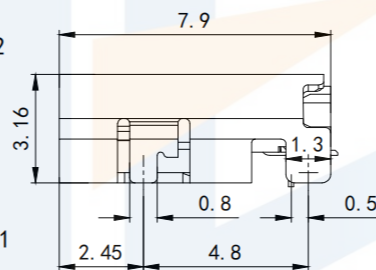
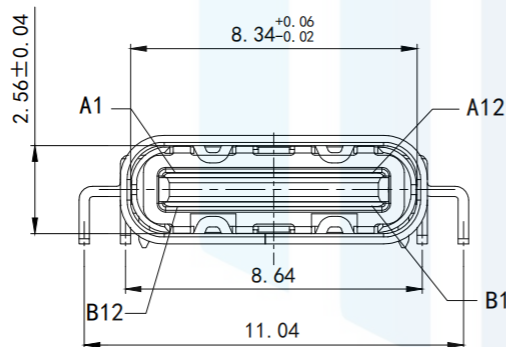
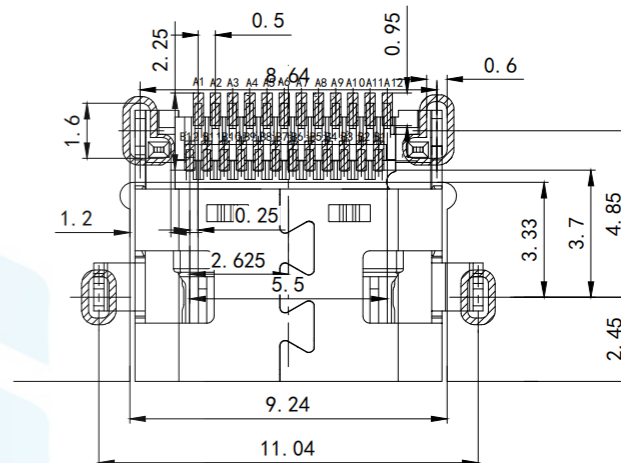
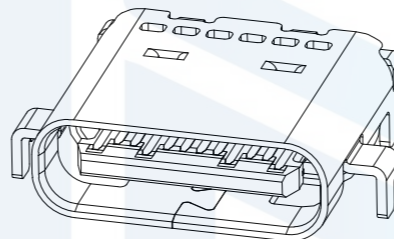
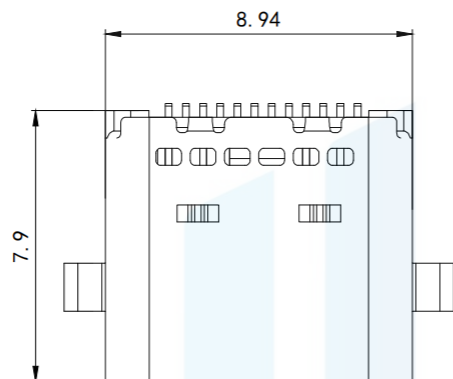
- Remark:
- Material:
 - Core: LCP+30%G.F UL94V-0
 - Terminal: high conductivity copper C7025, T=0.15mm; NICKEL BOTTOM 50U"MIN, Gold plated in the contact area (AU1u) and gold plated G/F in the solder area
 - Shell: SUS304, T=0.30mm; NICKEL PLATING ON THE SURFACE 50U"MIN
 - Clip: SUS301, T=0.15mm;
 - Main features:
 - Rated current: 5A
 - Contact Impedance: 40m'E MAX (initial value) 50m2 MAX (after test)
 - INSULATION RESISTANCE: 100M'E MIN
 - Hipot test: 100V AC R.M.S
 - Overall Insertion Force: 5-20N Overall Insertion Force: 5-20N (after durability) Overall Extraction Force: 8-20N Overall Extraction Force: 6-20N (after durability)
 - Durability: 10000 times
 - High temperature resistance: SMT reflow soldering (peak 260 ° +5 °), plastic can not have blistering, melting glue and other defects, discoloration, warping deformation within the tolerance range: 2.9 The product must be soldered test, and the tin area should reach more than 95%;
 - SALT SPRAY TEST: 48HMIN
 - Working temperature: -30° C~+85° C



TOLERANCE			东莞市恒祺电子科技有限公司 Dongguan Hengqi Electronic Technology Co., Ltd		
X. XXX	±0.05		https://www.hq-dz.com		phone:15812872448
X. XX	±0.15	TITLE: TYPE C 24P沉板0.8端子SMT 4定位脚插板前2定位脚外移		PART NO:TYPE-C24P-CB016	
X. X	±0.20			DRAWING NO:8.94*7.9*3.16	
X.	±0.30				
ANGLE	±5.0°				
PROTECTON 		DRAWN:		DATE: 18-10-08	UNIT: mm
		CHECKED:		DATE: 18-10-08	SCALE: FULL
		APPROVED:		DATE: 18-10-08	SIZE: A4

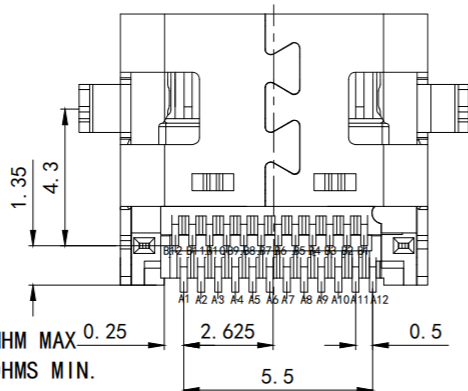
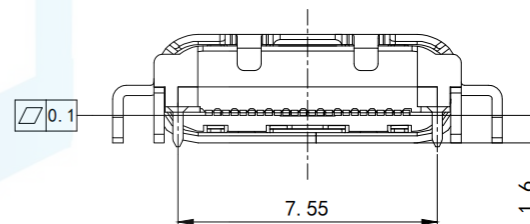
RoHS2.0
Compliant

Pin NO	Signal Name	Pin NO	Signal Name
A1	GND	B12	GND
A2	SSRXN1	B11	SSRXN1
A3	SSRXN1	B10	SSRXN1
A4	VBUS	B9	VBUS
A5	CC1	B8	SBU1
A6	D+	B7	D-
A7	D-	B6	D+
A8	SBU1	B5	CC1
A9	VBUS	B4	VBUS
A10	SSRXN2	B3	SSRXN2
A11	SSRXN2	B2	SSRXN2
A12	GND	B1	GND
SHELL	GND	SHELL	GND



CONNECTOR
FRONT EDGE

RECOMMENDED P.C.B. LAYOUT
TOLERANCE UNSPECIFIED ±0.05mm

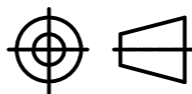


- NOTES:
SPECIFICATION:
- CURRENT RATING: 5.0A MAX
 - VOLTAGE: 100 VAC
 - TEMPERATURE RANGE: -30C~85*C
 - CONTACT RESISTANCE: 40 MILLIONHM MAX
 - INSULATION RESISTANCE: 100 MEGOHMS MIN.
 - INSERTION FORCE :5N~20N
 - UNMATING FORCE: 8N~20N
 - DURABILITY: 10000 CYLES

TOLERANCE

X. XXX	±0.05
X. XX	±0.15
X. X	±0.20
X.	±0.30
ANGLE	±5.0°

PROTECTON



东莞市恒祺电子科技有限公司
Dongguan Hengqi Electronic Technology Co., Ltd

<https://www.hq-dz.com>

phone: 15812872448

TITLE:

TYPE C 24P沉板1.6端子SMT
4定位脚插板前2定位脚外移

PART NO: TYPE-C24P-CB017

DRAWING NO: 8.94*7.9*3.16

DRAWN:

CHECKED:

APPROVED:

DATE:

DATE:

DATE:

18-10-08

18-10-08

18-10-08

UNIT:
mm
SCALE:
FULL
SIZE:
A4