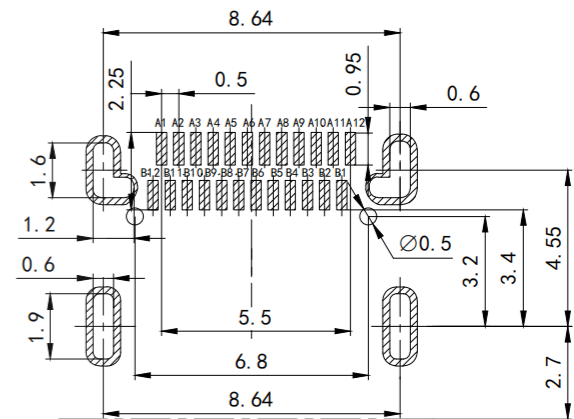
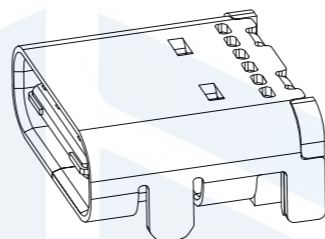
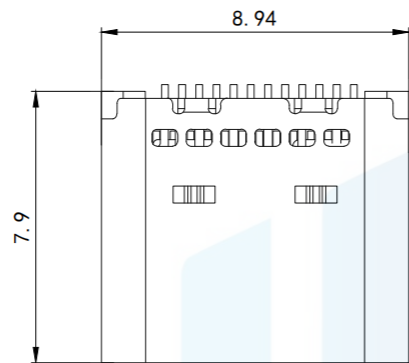
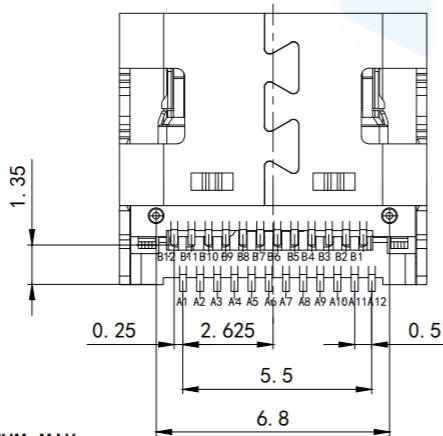
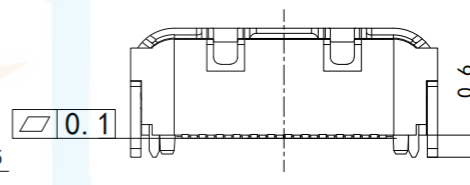
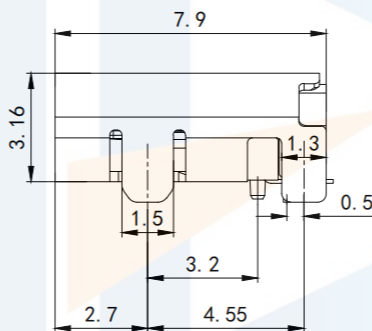
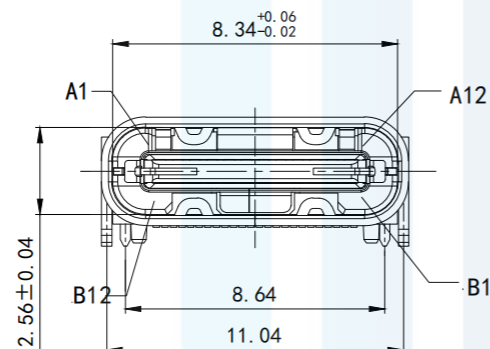


RoHS2.0
Compliant

Pin NO	Signal Name	Pin NO	Signal Name
A1	GND	B12	GND
A2	SSRXP1	B11	SSRXP1
A3	SSRXN1	B10	SSRXN1
A4	VBUS	B9	VBUS
A5	CC1	B8	SBU1
A6	D+	B7	D-
A7	D-	B6	D+
A8	SBU1	B5	CC1
A9	VBUS	B4	VBUS
A10	SSRXN2	B3	SSRXN2
A11	SSRXP2	B2	SSRXP2
A12	GND	B1	GND
SHELL	GND	SHELL	GND



RECOMMENDED P.C.B. LAYOUT
TOLERANCE UNSPECIFIED ±0.05mm

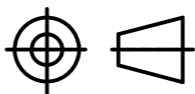


- NOTES:
SPECIFICATION:
- CURRENT RATING: 5.0A MAX
 - VOLTAGE: 100 VAC
 - TEMPERATURE RANGE: -30C~85*C
 - CONTACT RESISTANCE: 40 MILLIONHM MAX
 - INSULATION RESISTANCE: 100 MEGOHMS MIN.
 - INSERTION FORCE : 5N~20N
 - UNMATING FORCE: 8N~20N
 - DURABILITY: 10000 CYLES

TOLERANCE

X. XXX	±0.05
X. XX	±0.15
X. X	±0.20
X.	±0.30
ANGLE	±5.0°

PROTECTON



东莞市恒祺电子科技有限公司
Dongguan Hengqi Electronic Technology Co., Ltd

<https://www.hq-dz.com>

phone: 15812872448

TITLE:

TYPE C 24P板上端子SMT
4定位脚插板L=7.9

PART NO: TYPE-C24P-BS030

DRAWING NO: 8.94*7.9*3.16

DRAWN:

CHECKED:

APPROVED:

DATE:

DATE:

DATE:

18-10-08

18-10-08

18-10-08

UNIT:
mm
SCALE:
FULL
SIZE:
A4