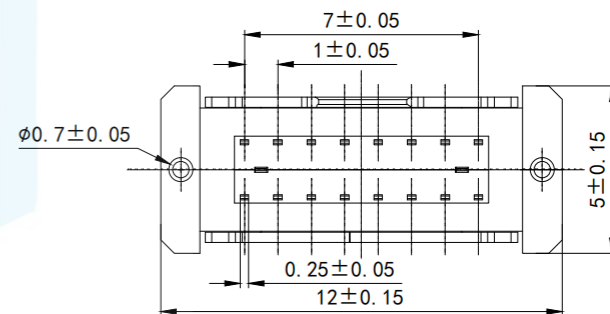
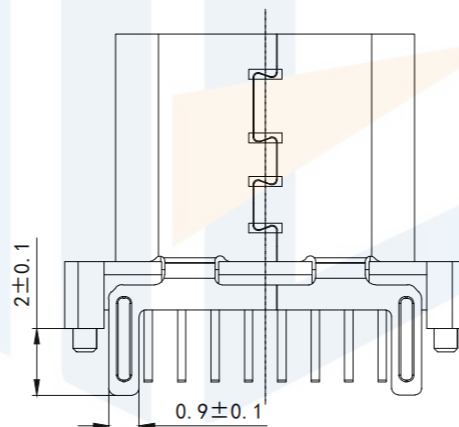
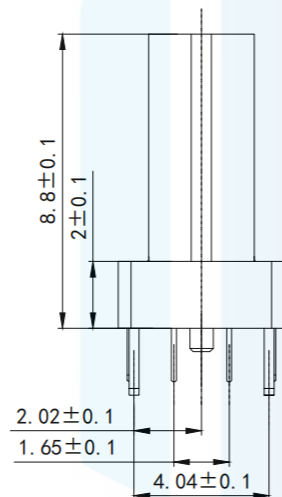
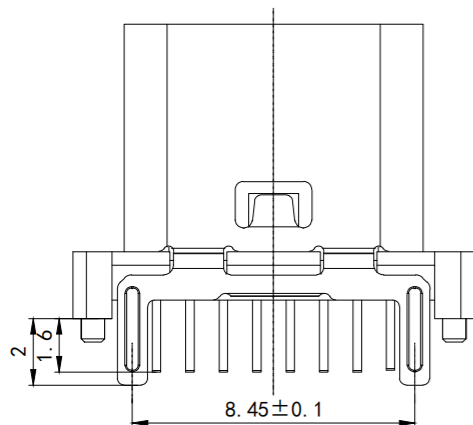
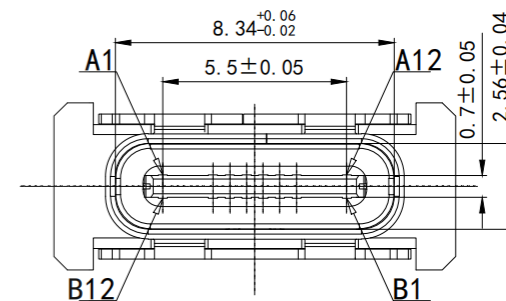
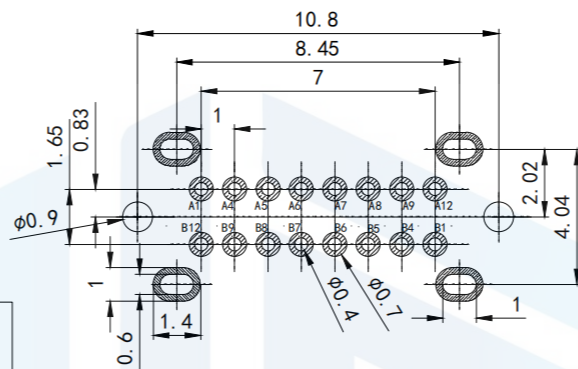


RoHS2.0
Compliant



Features:

1. Electrical performance :EICTRICAL

1. Rated current :5.0A
2. Contact impedance :40 MILLIOHMS MAX
3. Withstand voltage :100V AC/1 mA MAX
4. Insulation impedance :150V DC/100 MEGA OHMS MIN

Second, mechanical properties:

1. Insertion force :5~20N
2. Output :8~20N
3. Service life :10000 times, pullout 5N MIN

Third, MATERIAL :MATERIAL

4. Electroplating :FINISH
1. Terminal: Contact point gold-plated 1U"MINPIN pin solder area tinned 80U"MIN
2. Shell: nickel-plated 80U"MIN(salt spray 48H)
- 5, electroplating products need to do the tin sticking test: the tin sticking area is more than 95%.

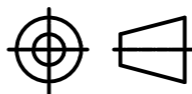
Six, SMT reflow welding (peak 260° C+5° C) can not foam, melt, discoloration (deformation within the tolerance range)

7. Working temperature : -55° C~+85° C
- 8, salt spray test: through 48H in the concentration of 5+1% salt water salt spray test without rust phenomenon

TOLERANCE

X. XXX	±0.05
X. XX	±0.15
X. X	±0.20
X.	±0.30
ANGLE	±5.0°

PROTECTON



东莞市恒祺电子科技有限公司

Dongguan Hengqi Electronic Technology Co., Ltd

<https://www.hq-dz.com>

phone:15812872448

TITLE:

TYPE C 16P立式插板H=8.8

PART NO:TYPE-C16P-LC008

DRAWING NO:12*8.8*3.16

DRAWN:

CHECKED:

APPROVED:

DATE:

DATE:

DATE:

18-10-08

18-10-08

18-10-08

UNIT:
mm

SCALE:
FULL

SIZE:
A4