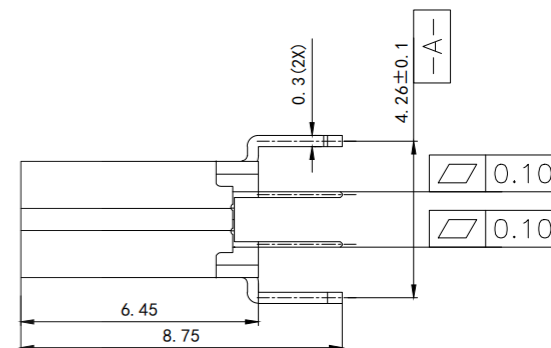
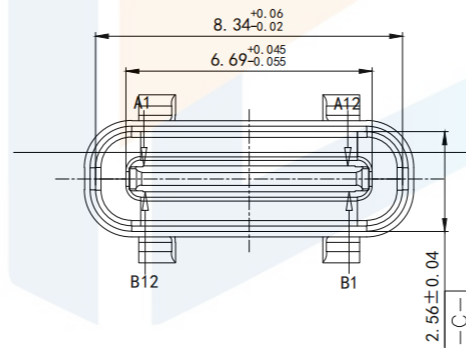
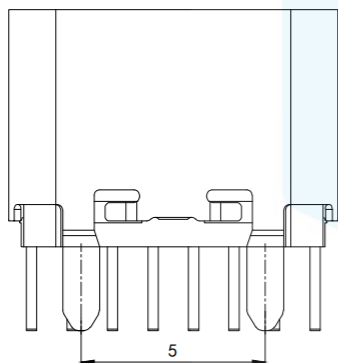
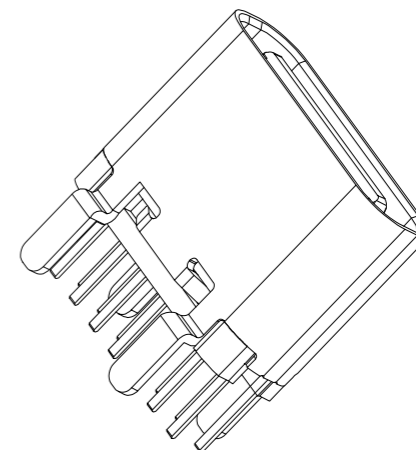
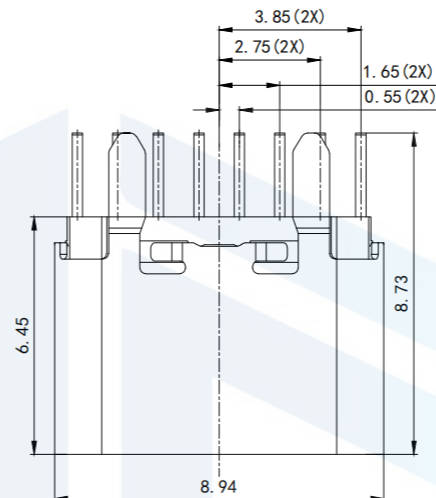
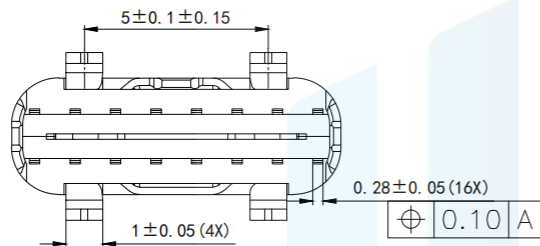


RoHS2.0
Compliant

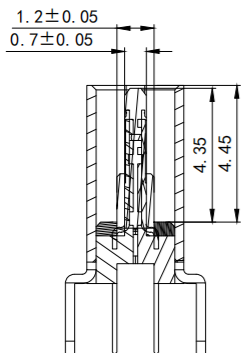


Note :1. Material:

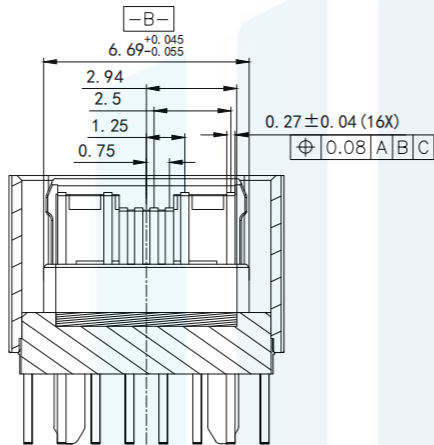
- 1.1 Rubber core :LCP+30% G. UL94V-0
- 1.2 Terminal: brass, T=0.15mm; Nickel base, gold plated 1u
- 1.3 Shell: stainless steel, T=0.30mm; The surface is plated with nickel 100u Or bright tin 100u
- 2. Main features:
- 2.1 Rated current :5.0A
- 2.2 Contact impedance :30m2 MAX
- 2.3 Insulation impedance :100M2 MIN 250V DC
- 2.4 Voltage test :250V AC
- 2.5 Tinness: temperature 250+5°C, time 5±0.5s
- 2.6 Overall insertion force :5N~20N
- Overall pullout power :8N~20N
- 2.7 Service life :10000 times
- 2.8 Operating temperature :-30°C~+80°C

TOLERANCE	X. XXX	±0.05		东莞市恒祺电子科技有限公司 Dongguan Hengqi Electronic Technology Co., Ltd	
	X. XX	±0.15			
X. X ±0.20 X. ±0.30 ANGLE ±5.0°	https://www.hq-dz.com		phone:15812872448		
	TITLE:		PART NO:TYPE-C16P-LC006		
	TYPE C 16P 立式直插H=6.5		DRAWING NO:8.94*6.45*3.16		
	DRAWN:		DATE:	18-10-08	UNIT: mm
PROTECTON 	CHECKED:		DATE:	18-10-08	SCALE: FULL
	APPROVED:		DATE:	18-10-08	SIZE: A4

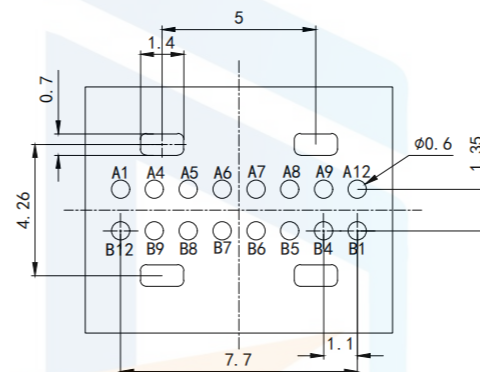
RoHS2.0
Compliant



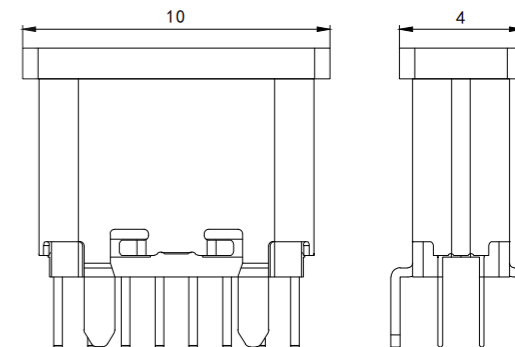
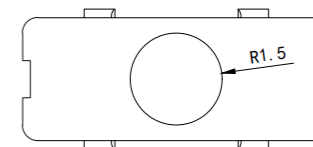
SECTION: A-A
SCALE 1:1



SECTION: B-B
SCALE 1:1



RECOMMENDED PCB LAYOUT
TOLERANCE UNSPECIFIED ±0.05mm



ADDED SUCTION COVER VIEW

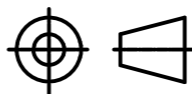
USB TYPE-C PIN ASSIGNMENTS

PIN NUMBER	SIGNAL NAME	PIN NUMBER	SIGNAL NAME
A1	GND	B12	GND
A2	TXp1	B11	RXP1
A3	TXn1	B10	RXN1
A4	VBUS	B9	DP1
A5	CC1	B8	DN1
A6	DP1	B7	SBU1
A7	DN1	B6	VBUS
A8	SBU1	B5	GND
A9	VBUS	B4	GND
A10	RXN2	B3	VBUS
A11	RXP2	B2	SBU2
A12	GND	B1	DN2

TOLERANCE

X. XXX	±0.05
X. XX	±0.15
X. X	±0.20
X.	±0.30
ANGLE	±5.0°

PROTECTON



东莞市恒祺电子科技有限公司

Dongguan Hengqi Electronic Technology Co., Ltd

<https://www.hq-dz.com>

phone: 15812872448

TITLE:

TYPE C 16P 立式直插H=6.5

PART NO: TYPE-C16P-LC006

DRAWING NO: 8.94*6.45*3.16

DRAWN:

CHECKED:

APPROVED:

DATE:

DATE:

DATE:

18-10-08

18-10-08

18-10-08

UNIT:

SCALE:

SIZE:

mm

FULL

A4