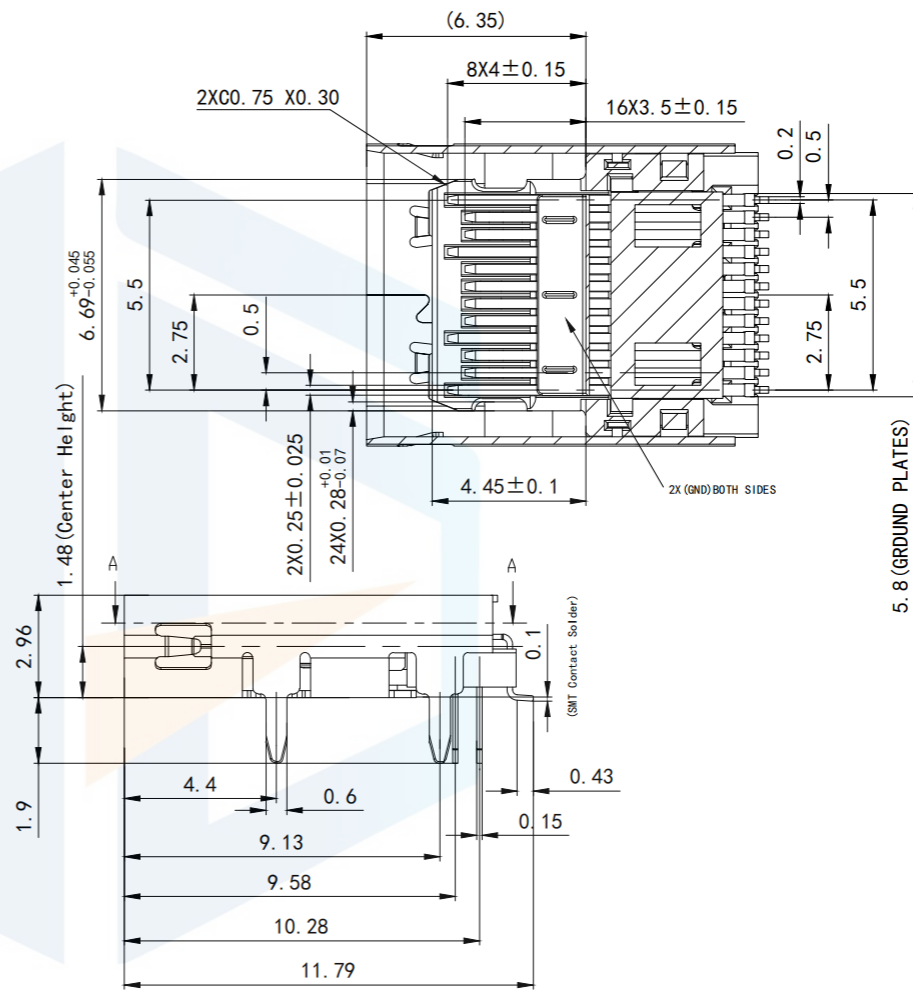
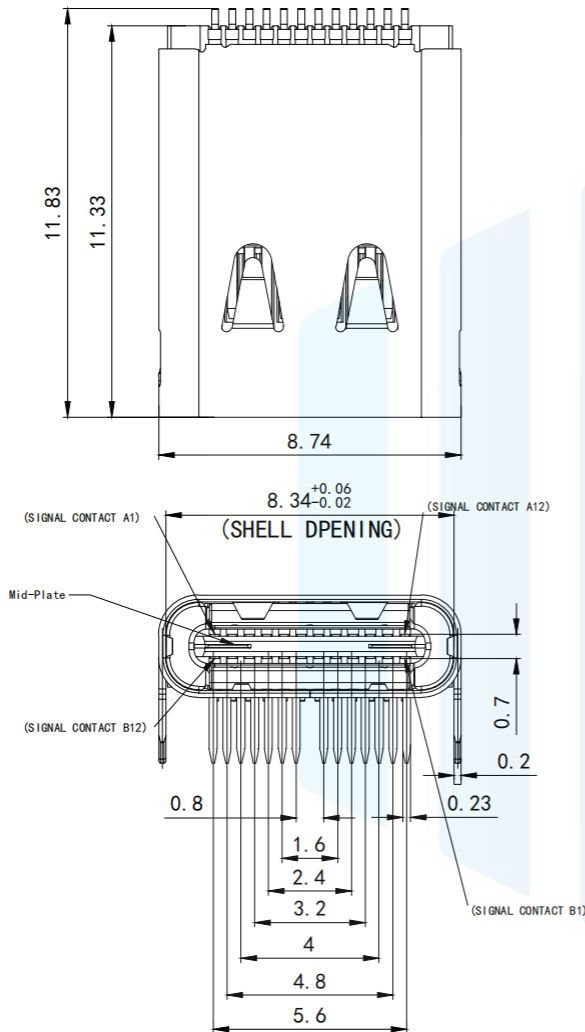


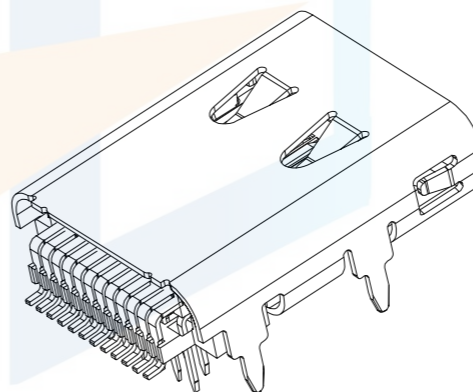
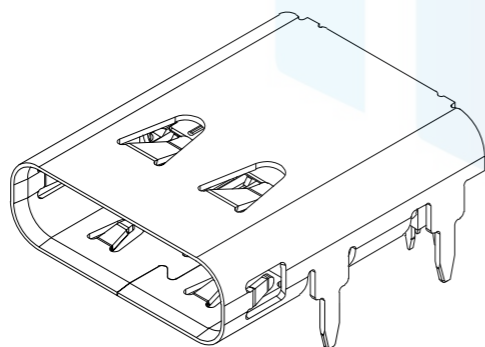
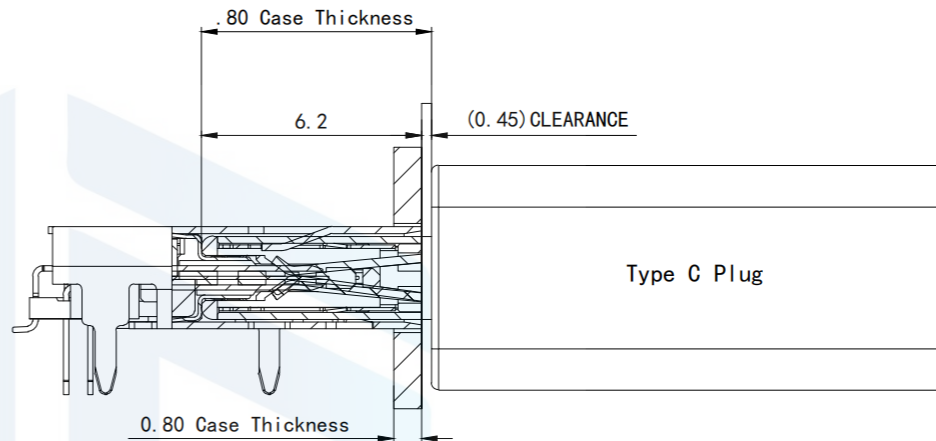
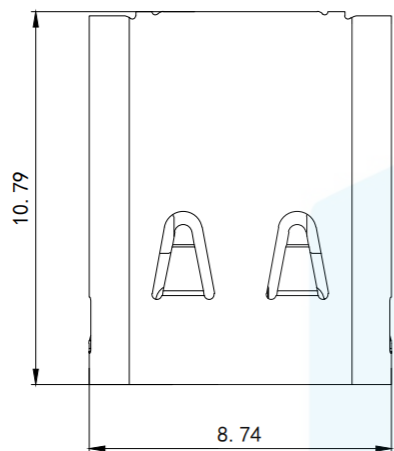
RoHS2.0
Compliant



SPECIFICATION MATERIAL Insulator: Thermoplastic, Black Contacts: BRASS Shell: Steel CONTACT PLATING Underplate: 40u"~80y" Nickel (selective area) Contact area: 30u" Pd-Ni+2u" YPei; area: 100u" ~200u" Tin Operation voltage: 20V Current rating: 5 Amps max. 100 VDC insulation resistance: 100 Mohms min @ Dielectric withstanding voltage: 108V. Mating cycles: 10,000 insertions Part no.

TOLERANCE			东莞市恒祺电子科技有限公司 Dongguan Hengqi Electronic Technology Co., Ltd					
X. XXX	±0.05							
X. XX	±0.15	https://www.hq-dz.com			phone: 15812872448			
X. X	±0.20	TITLE: TYPE C 26P板上前插后贴L=11.33 4脚定位插板			PART NO: TYPE-C26P-BS133			
X.	±0.30	DRAWN: _____			DRAWING NO: 11.33*8.74*2.96			
ANGLE	±5.0°				CHECKED: _____			DATE: 18-10-08
PROTECTON								APPROVED: _____
		UNIT: mm			SCALE: FULL			
		DATE: 18-10-08			SIZE: A4			

RoHS2.0
Compliant



TOLERANCE

X. XXX	±0.05
X. XX	±0.15
X. X	±0.20
X.	±0.30
ANGLE	±5.0°



东莞市恒祺电子科技有限公司
Dongguan Hengqi Electronic Technology Co., Ltd

<https://www.hq-dz.com>

phone:15812872448

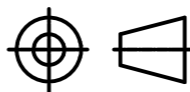
TITLE:

TYPE C 26P板上前插后贴L=11.33
4脚定位插板

PART NO:TYPE-C26P-BS133

DRAWING NO:11.33*8.74*2.96

PROTECTON



DRAWN:

CHECKED:

APPROVED:

DATE: 18-10-08

DATE: 18-10-08

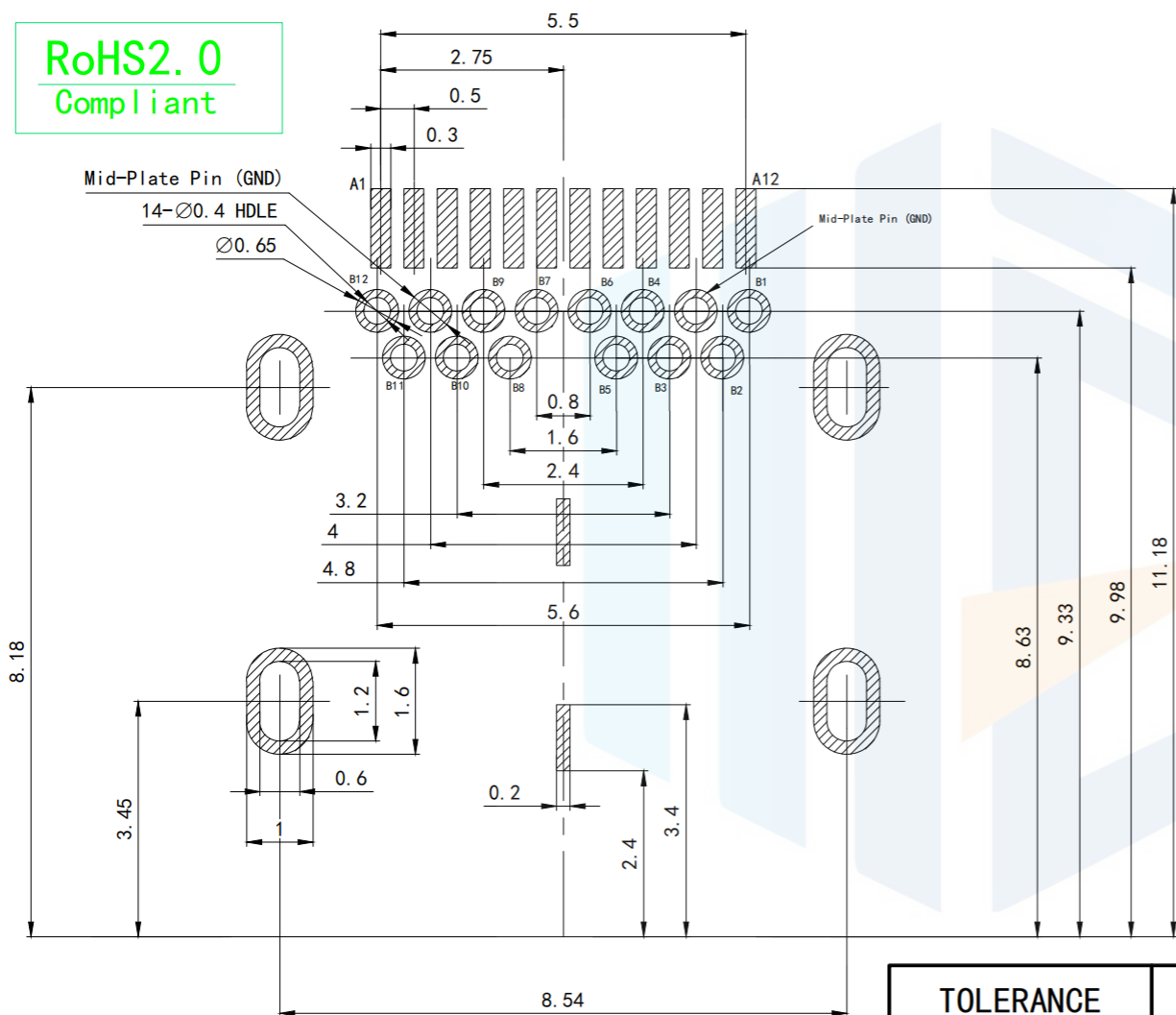
DATE: 18-10-08

UNIT:
mm

SCALE:
FULL


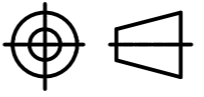
SIZE:
A4

RoHS2.0
Compliant



Pin NO	Signal Name	Pin NO	Signal Name
A1	GND	B12	GND
A2	SSRXP1	B11	SSRXP1
A3	SSRXN1	B10	SSRXN1
A4	VBUS	B9	VBUS
A5	CC1	B8	SBU1
A6	D+	B7	D-
A7	D-	B6	D+
A8	SBU1	B5	CC1
A9	VBUS	B4	VBUS
A10	SSRXN2	B3	SSRXN2
A11	SSRXP2	B2	SSRXP2
A12	GND	B1	GND
SHELL	GND	SHELL	GND

Recomanded PCB LAYIUT
TOLANCE ± 0.05
PCB Tinkness =10 For 150 Solder tall
1.6 For 1.90 Solder tail

TOLERANCE X. XXX ± 0.05 X. XX ± 0.15 X. X ± 0.20 X. ± 0.30 ANGLE $\pm 5.0^\circ$		东莞市恒祺电子科技有限公司 Dongguan Hengqi Electronic Technology Co., Ltd	
		https://www.hq-dz.com phone:15812872448	
PROTECTON 	DRAWN:	DATE: 18-10-08	UNIT: mm
	CHECKED:	DATE: 18-10-08	SCALE: FULL
	APPROVED:	DATE: 18-10-08	SIZE: A4

TITLE: TYPE C 26P板上前插后贴L=11.33
4脚定位插板

PART NO: TYPE-C26P-BS133

DRAWING NO: 11.33*8.74*2.96