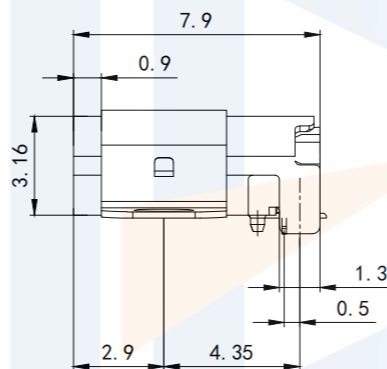
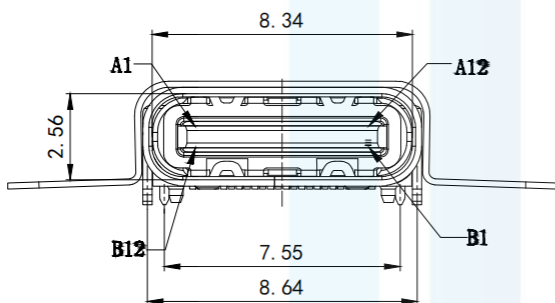
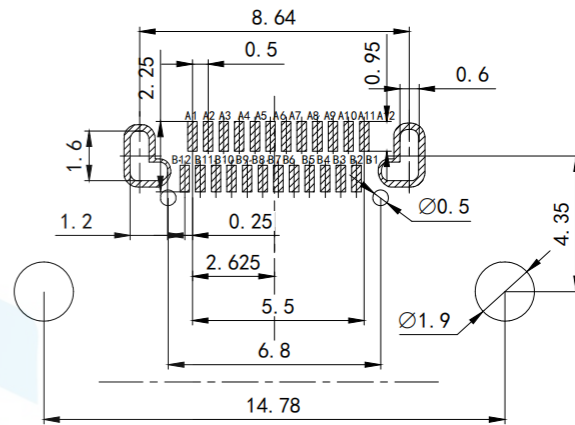
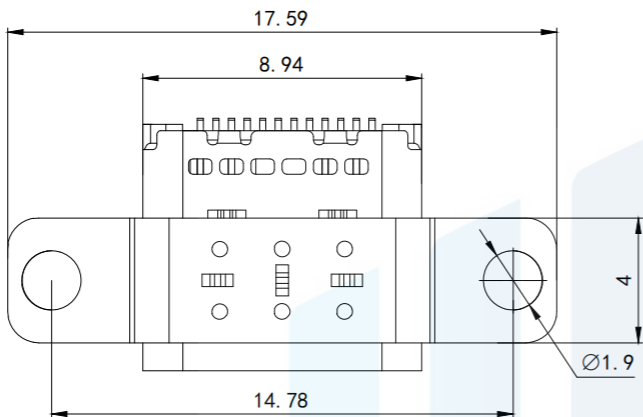
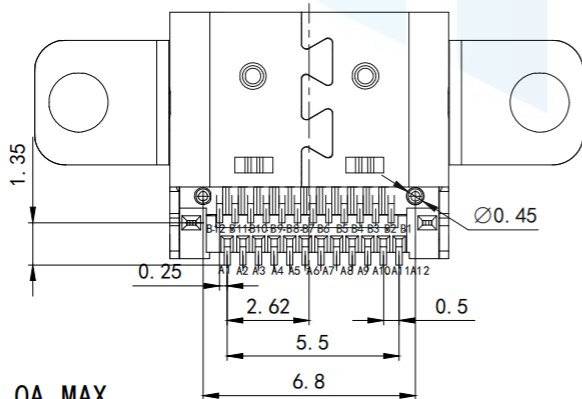
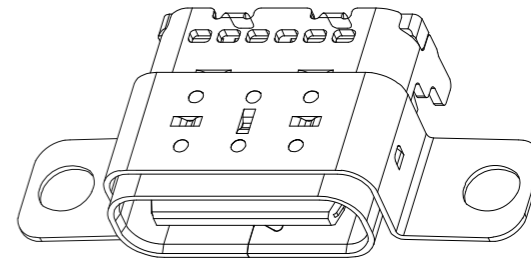
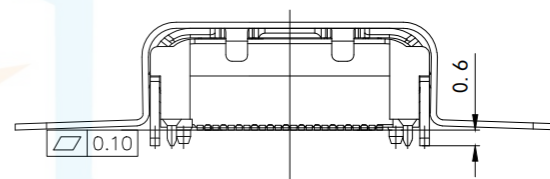


**RoHS2.0  
Compliant**

Pin NO	Signal Name	Pin NO	Signal Name
A1	GND	B12	GND
A2	SSRX1P1	B11	SSRX1P1
A3	SSRX1N1	B10	SSRX1N1
A4	VBUS	B9	VBUS
A5	CC1	B8	SBU1
A6	D+	B7	D-
A7	D-	B6	D+
A8	SBU1	B5	CC1
A9	VBUS	B4	VBUS
A10	SSRX2	B3	SSRX2
A11	SSRX2	B2	SSRX2
A12	GND	B1	GND
SHELL	GND	SHELL	GND



RECOMMENDED P. C. B. LAYOUT  
TOLERANCE UNSPECIFIED ±0.05mm

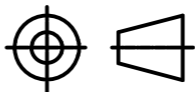


- NOTES:  
SPECIFICATION:
- CURRENT RATING: 5.0A MAX
  - VOLTAGE: 100 VAC
  - TEMPERATURE RANGE: -30C~85\*C
  - CONTACT RESISTANCE: 40 MILLIONHM MAX
  - INSULATION RESISTANCE: 100 MEGOHMS MIN.
  - INSERTION FORCE : 5N~20N
  - UNMATING FORCE: 8N~20N
  - DURABILITY: 10000 CYLES

**TOLERANCE**

X. XXX	±0.05
X. XX	±0.15
X. X	±0.20
X.	±0.30
ANGLE	±5.0°

**PROTECTON**



**东莞市恒祺电子科技有限公司**  
Dongguan Hengqi Electronic Technology Co., Ltd

<https://www.hq-dz.com>

phone: 15812872448

**TITLE:**

TYPE C 24P板上全贴双壳  
上盖带耳朵L=7.9

PART NO: TYPE-C24P-BS031

DRAWING NO: 8.94\*3.16\*7.9

DRAWN:

CHECKED:

APPROVED:

DATE:

DATE:

DATE:

18-10-08

18-10-08

18-10-08

UNIT:  
mm

SCALE:  
FULL

SIZE:  
A4