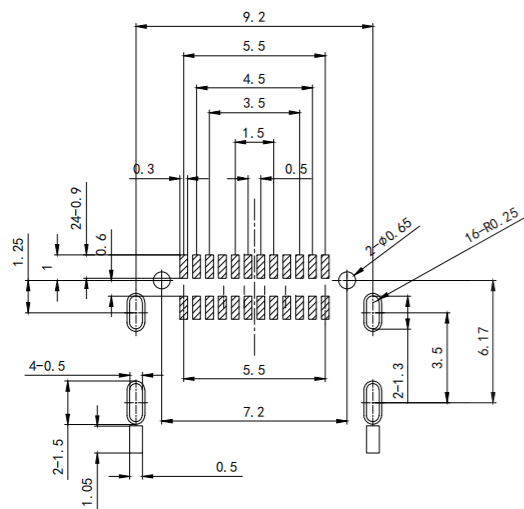
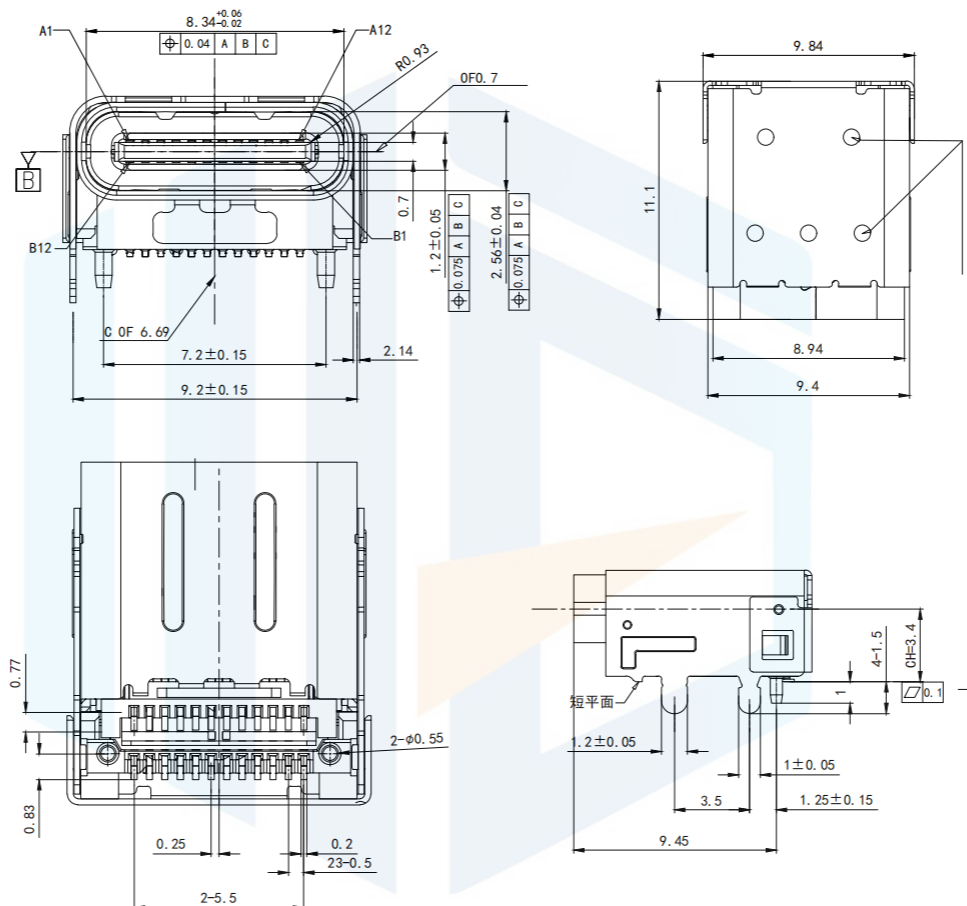


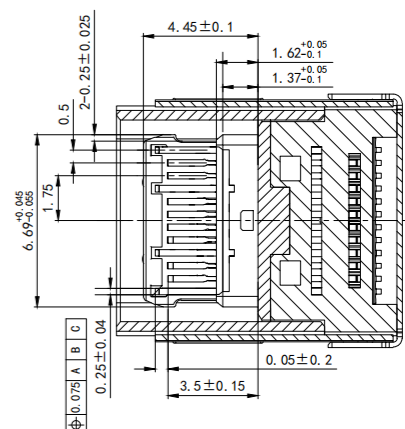
RoHS2.0
Compliant



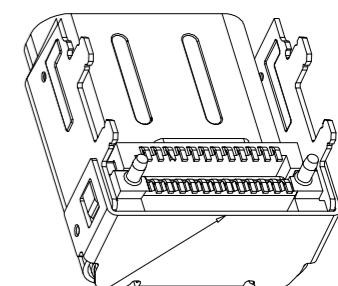
RECOMMENDED P. C. B LAYOUT (COMPONENT SIDE)
PCB THICKNESS: 2.0 ± 0.05mm



SPOT WELDING POSITION IS ONLY FOR YOUR REFERENCE



SECTION A-A



此规格后盖为平口

- NOTES:
1. MATERIAL :SEE TABLE
 2. COPLANARITY : 0.10 Max.
 3. ELECTRICAL CHARACTERISTICS
LOW LEVEL CONTACT RESISTANCE: 40m2 Max
INSULATION RESISTANCE: 100M2 MIN
DIELECTRIC WITHSTANDING VOLTAGE: 100 VAC:
CONTACT CURRENT RATING: 5A Max
 4. MECHANICAL CHARACTERISTICS
INSERTION FORCE: 5~20N
EXTRACTION FORCE: 8~20N
AFTER DURABILITY EXTRACTION FORCE: 6~20N
 5. DURABILITY: 10000 CYCLES
 6. PACKAGING TYPE: CARRIER TAPE.
 7. SALT SPRAY : 24 HOURS

TOLERANCE			东莞市恒祺电子科技有限公司 Dongguan Hengqi Electronic Technology Co., Ltd				
X. XXX	±0.05						
X. XX	±0.15	https://www.hq-dz.com			phone: 15812872448		
X. X	±0.20	TITLE: TYPE C 24P板上贴片双壳加高型 CH=3.40定位脚插板		PART NO: TYPE-C24P-BS033			
X.	±0.30			DRAWING NO: 15. 8*3. 9*3. 46			
ANGLE	±5.0°	PROTECTON 		DRAWN:			
				CHECKED:		DATE:	18-10-08
				APPROVED:		DATE:	18-10-08
				UNIT:	mm		
				SCALE:	FULL		
				SIZE:	A4		