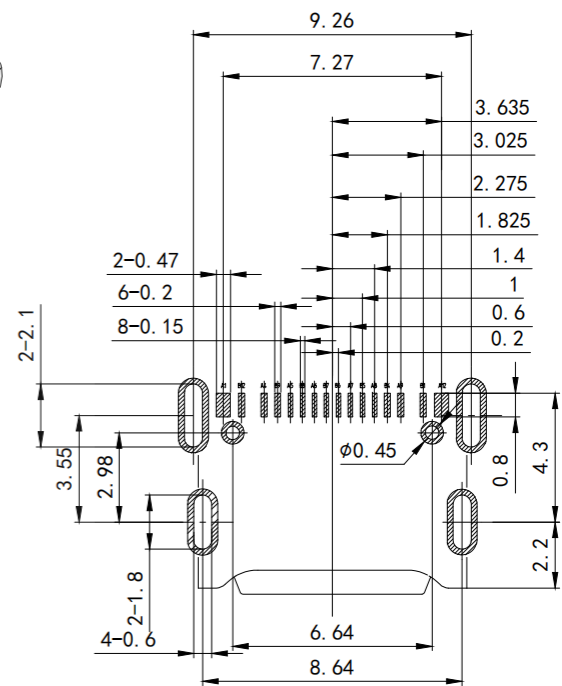
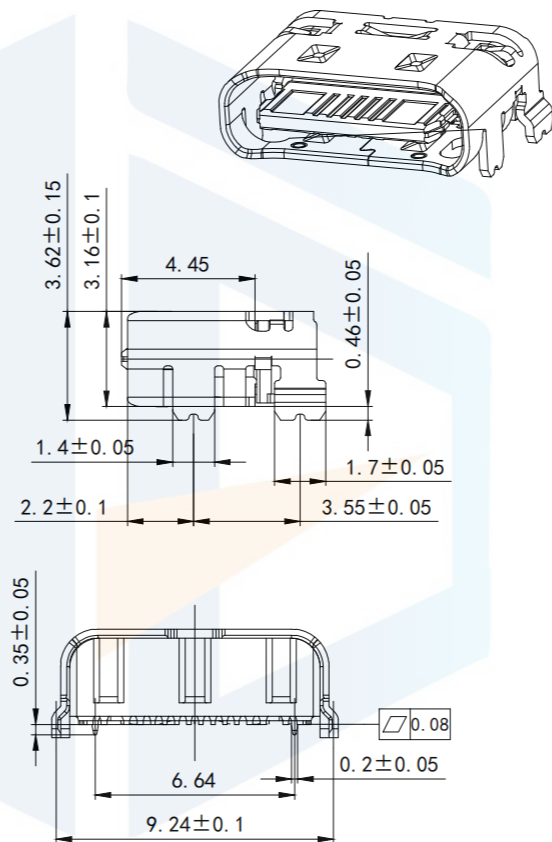
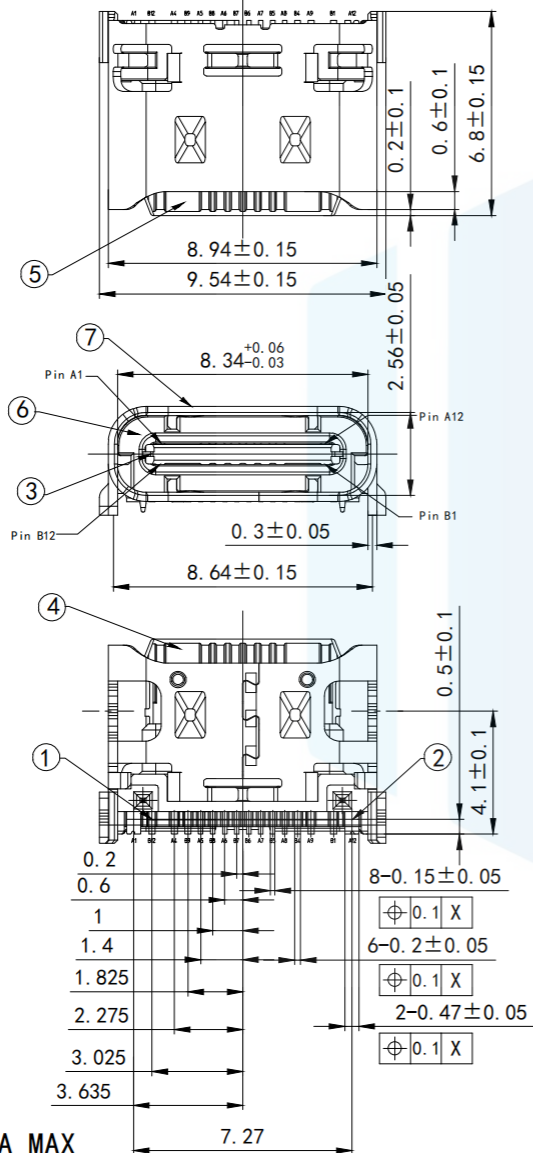


RoHS2.0
Compliant



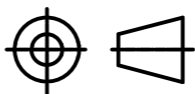
NOTES:

- CURRENT RATING: 5.0A MAX
- VOLTAGE: 100V AC
- TEMPERATURE RANGE: -30°C~85°C:
- CONTACT RESISTANCE: 40 MILLIONHM MAX.
- INSULATION RESISTANCE: 100M MEFOHMS MIN.00N
- INSERTION FORCE: 5N~20N
- MATING FORCE: 8N~20N
- DURABILITY: 10,000 CYCLES.

TOLERANCE

| | |
|--------|-------|
| X. XXX | ±0.05 |
| X. XX | ±0.15 |
| X. X | ±0.20 |
| X. | ±0.30 |
| ANGLE | ±5.0° |

PROTECTON



东莞市恒祺电子科技有限公司
Dongguan Hengqi Electronic Technology Co., Ltd

<https://www.hq-dz.com>

phone: 15812872448

TITLE:

TYPE C 16PIN板上A80 U口
4脚插板

PART NO: TYPE-C16P-BSA80

DRAWING NO: 9.54*3.62*6.8

DRAWN:

CHECKED:

APPROVED:

DATE:

DATE:

DATE:

18-10-08

18-10-08

18-10-08

UNIT:
mm

SCALE:
FULL

SIZE:
A4