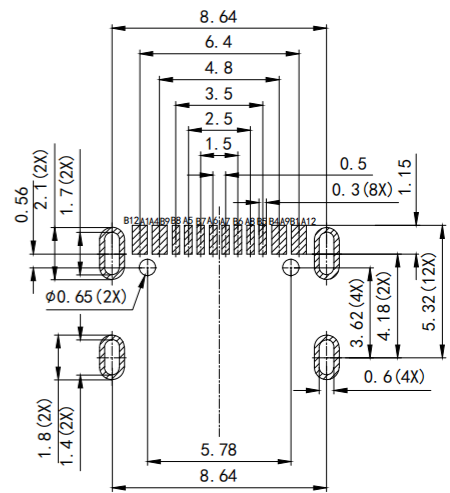
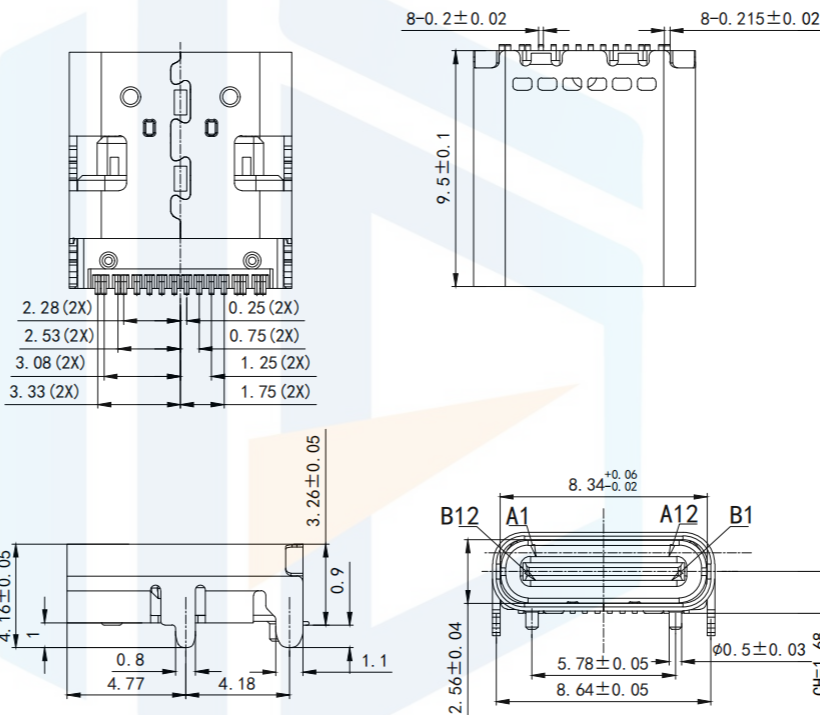
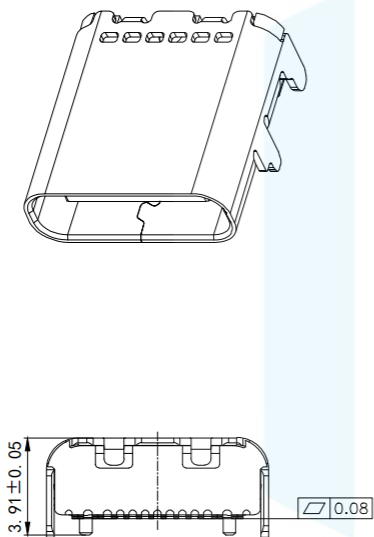
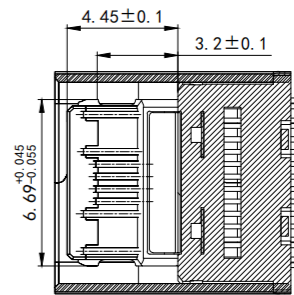
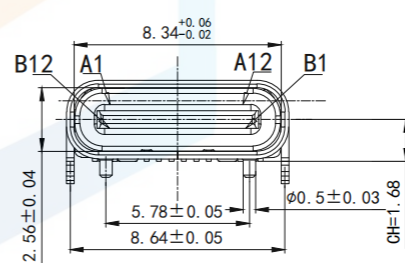


RoHS2.0
Compliant

A1	GND	B12	GND
A2		B11	
A3		B10	
A4	VBUS	B9	VBUS
A5	CC1	B8	SBU2
A6	D+	B7	D-
A7	D-	B6	D+
A8	SBU1	B5	CC2
A9	VBUS	B4	VBUS
A10		B3	
A11		B2	
A12	GND	B1	GND



RECOMMENDED P.C.B LAYOUT



B-B

NOTE:
 1. MATERIAL:
 1.1 INSULATOR:HIGH TEMPERATURE PLASTIC UL 94V-0;
 1.2 CONTACT:COPPER ALLOY
 1.3 SHELL:STAINLESS STEEL
 2. ELECTRICAL CHARACTERISTICS:
 2.1 CONTACT RESISTANCE: 40mΩ MaX FOR INITIAL, 30mΩ CHANGE AFTER TESTMEASURE AT 20mV. 100mA.
 2.2 CONTACT CURRENT RATING:5A FOR VBUS PIN; 1.25A FOR VCONN PIN
 2.3 DIELECTRIC WITHSTANDING VOLTAGE: 100V AC R. M. S.
 2.4 INSULATION RESISTANCE 100MΩ Min
 2.5 OPERATING TEMPERATURE:-40C85C
 3. MECHANICAL CHARACTERISTICS:
 3.1 MATING FORCE:5~20 N.
 3.2 UNMATED FORCE:8~20N AFTER TEST
 3.3 DURABILITY: 10,000 CYCLES
 4. PLATING
 4.1 TERMINAL CONTACT: (SEE TAB) GOLD PLATING ALL OVER 50u" Min NICKELAND 80u"Min Tin ALL OVER 50u" Min NICKEL ON SOLDER AREA
 4.2 SHELL: 50u" Min. NICKEL ALL OVER,
 5. TID 5719
 6.Focus on size control

TOLERANCE	
X. XXX	±0.05
X. XX	±0.15
X. X	±0.20
X.	±0.30
ANGLE	±5.0°
PROTECTON	

	东莞市恒祺电子科技有限公司 Dongguan Hengqi Electronic Technology Co., Ltd	
	https://www.hq-dz.com phone:15812872448	
TITLE: TYPE C 16P板上加长L=9.50MM 4脚定位插板		PART NO: TYPE-C16P-BS095
DRAWN:		DATE: 18-10-08
CHECKED:		DATE: 18-10-08
APPROVED:		DATE: 18-10-08
		UNIT: mm
		SCALE: FULL
		SIZE: A4