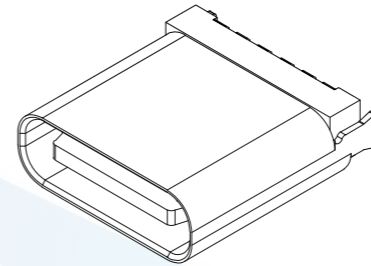
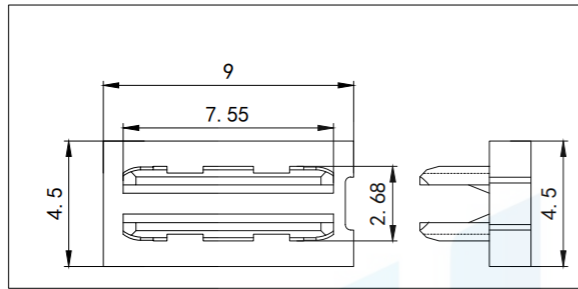
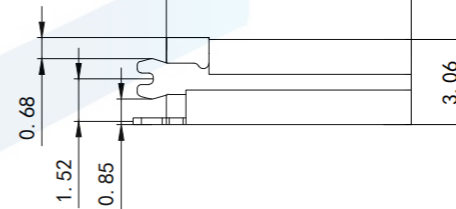
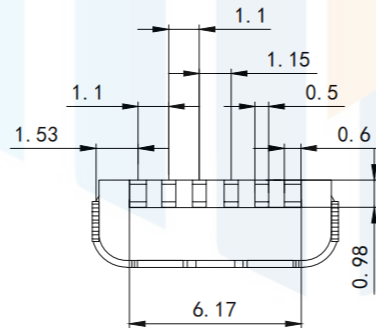
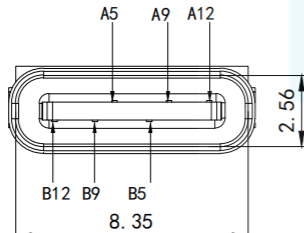
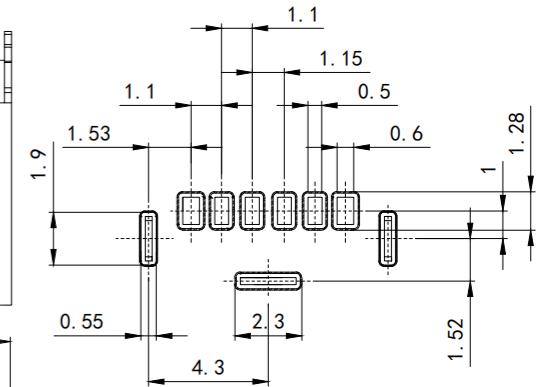
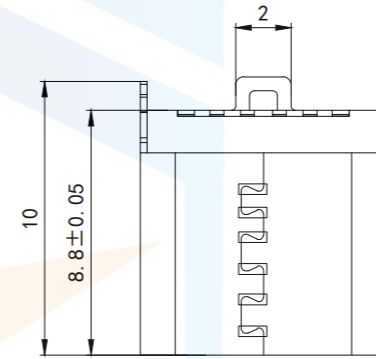
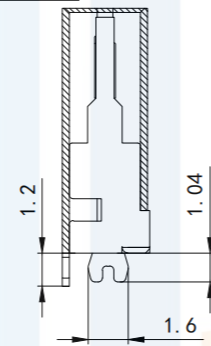
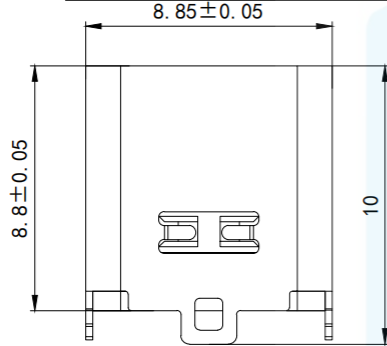


RoHS2.0  
Compliant



USB TYPE C PIN ASSIGNMENTS

Pin	Signal Name	Pin	Signal Name
		B12	GND
		B9	VBus
A5	CC1		
		B5	CC2
A9	VBus		
A12	GND		



RECOMMENDED P. C. B. LAYOUT  
TOLERANCE UNSPECIFIED +0.05mm

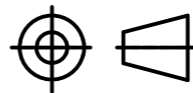
NOTE:

- Material:
  - Adhesive core: LCP UL94 V-0
  - terminal: C2680, T 0.2mm; Bottom, gold plated 1.3 shell: SUS201/304 Nickel plated surface
- Electrical characteristics:
  - Contact area: contact resistance 40mΩ
  - Max, 10 mΩ variation allowed. Test conditions: 20 mV, 100 mA measurement
  - Contact current: 3A VBUS pin; 1.25AHTCND pin; 0.25A for other pins
  - Rated electricity: 5V
  - Electrically resistant to electricity: 100VAC
  - Insulation resistance: 100 megaohms less
- Mechanical properties:
  - Insertion force: 0.5-2.0Kg
  - Pull-out force: 0.6-2.0Kg
  - Number of plugging and unplugging: 10000 times.
  - Working environment: -20° C to +85° C
  - Soldering heat resistance: the terminal is immersed in a tin bath at 250+5° C; It lasts 3-5S±0.5Scc, and the tin-staining area is more than 95%.
  - Appearance: The parts can withstand the following welding conditions: temperature 250° C, time 8-10 seconds, no damage and deformation in appearance

TOLERANCE

X. XXX	±0.05
X. XX	±0.15
X. X	±0.20
X.	±0.30
ANGLE	±5.0°

PROTECTON



东莞市恒祺电子科技有限公司  
Dongguan Hengqi Electronic Technology Co., Ltd

<https://www.hq-dz.com>

phone: 15812872448

TITLE:

TYPE C 6P立式贴片  
3定位脚插板

PART NO: TYPE-C6P-LT1012

DRAWING NO: 8.85\*8.8\*3.06

DRAWN:

CHECKED:

APPROVED:

DATE:

DATE:

DATE:

18-10-08

18-10-08

18-10-08

UNIT:  
mm

SCALE:  
FULL

SIZE:  
A4