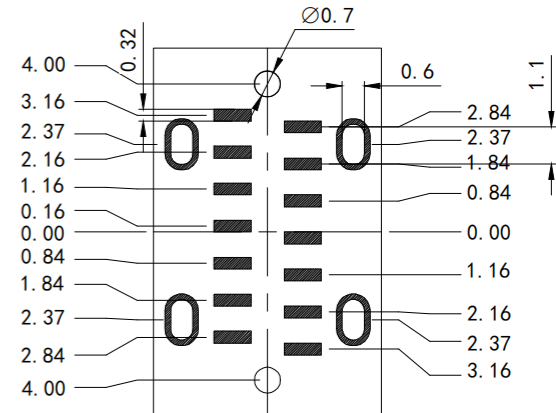
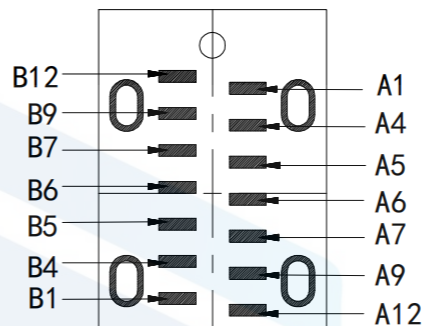
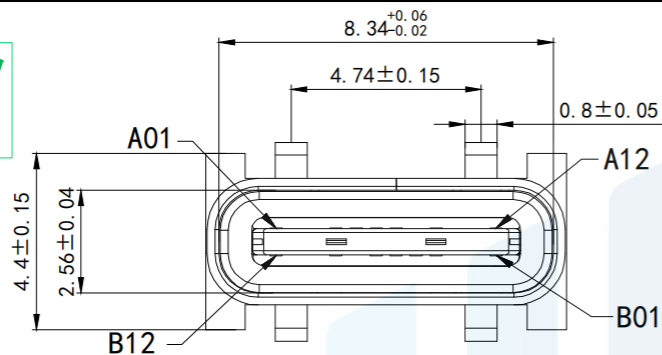
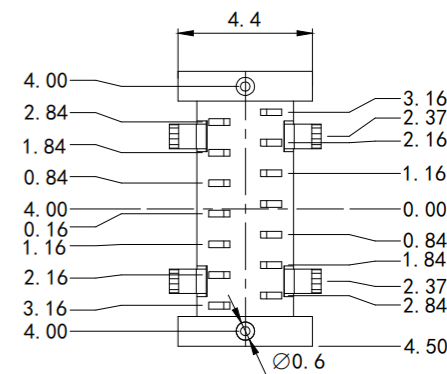
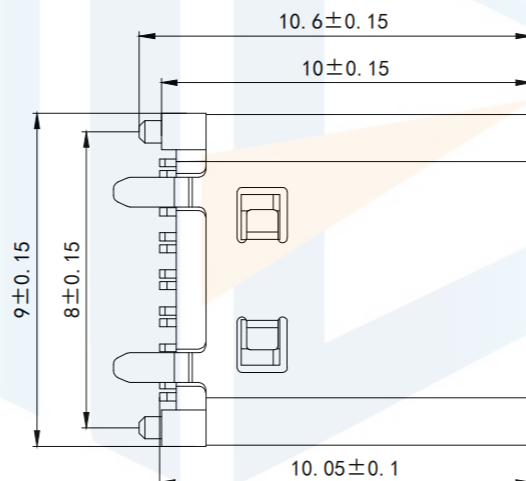
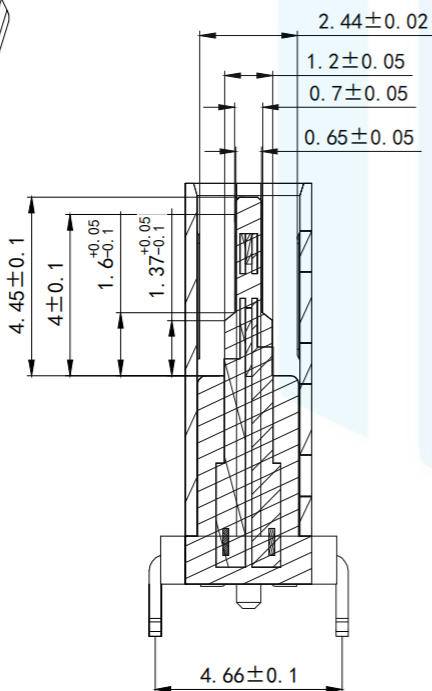
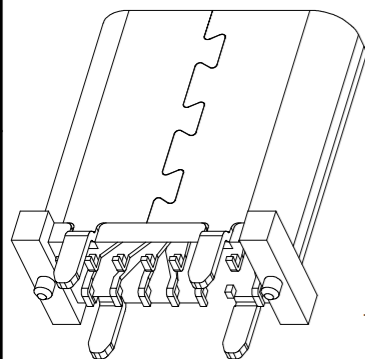


RoHS2.0  
Compliant



RECOMMENDED P. C. B. LAYOUT (T: 1.00MM)  
TOLERANCE UNSPECIFIED +0.05mm



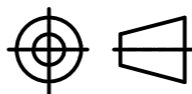
SPECIFICATIONS:

1. ELECTRICAL CHARACTERISTICS:
  - 1-1, CONTACT RESISTANCE: 30mS2 MAX.
  - 1-2. DIELECTRIC WITHSTANDING VOLTAGE: 100V AC FOR ONE MINUTE
  - 1-3. INSULATION RESISTANCE: 100MΩ MIN. MEASURED BY 500 VDC
2. MECHANICAL CHARACTERISTICS:
  - 2-1. INSERTION FORCE : 0.5-2.0Kgf (REF.)
  - 2-2. WITHDRAWAL FORCE : 0.8-2.0Kgf (REF.)
3. LIFE TEST: 10,000 CYCLES

TOLERANCE

X. XXX	±0.05
X. XX	±0.15
X. X	±0.20
X.	±0.30
ANGLE	±5.0°

PROTECTION



东莞市恒祺电子科技有限公司

Dongguan Hengqi Electronic Technology Co., Ltd

<https://www.hq-dz.com>

phone: 15812872448

TITLE:

TYPE C 14P立式贴片  
4定位脚插板

PART NO: TYPE-C14P-LT010

DRAWING NO: 10\*9\*3.16

DRAWN:

DATE: 18-10-08

UNIT:  
mm

CHECKED:

DATE: 18-10-08

SCALE:  
FULL

APPROVED:

DATE: 18-10-08

SIZE:  
A4