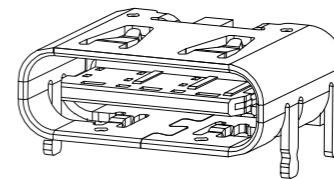
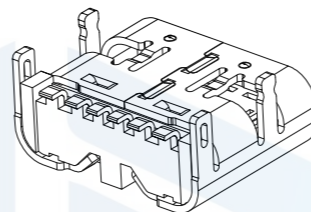
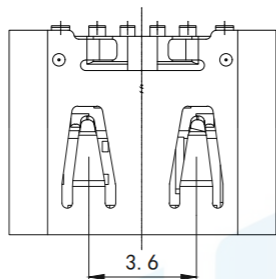
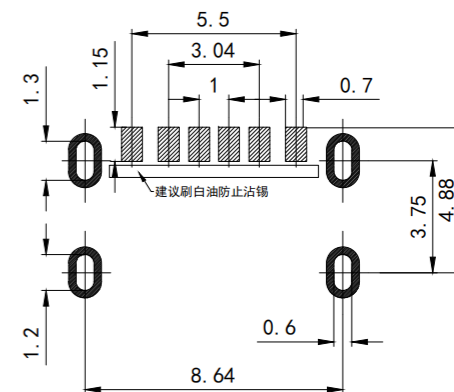
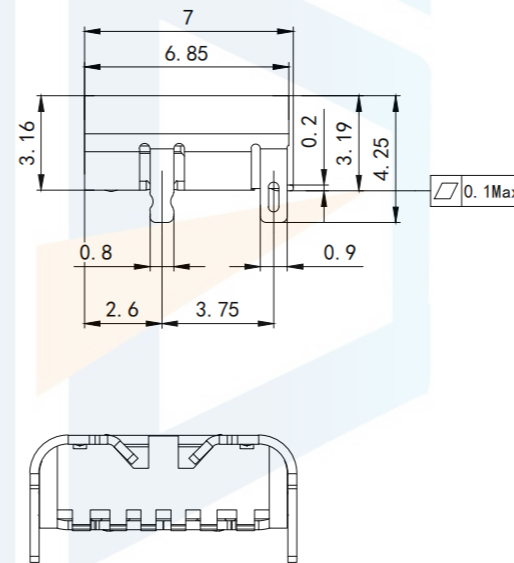
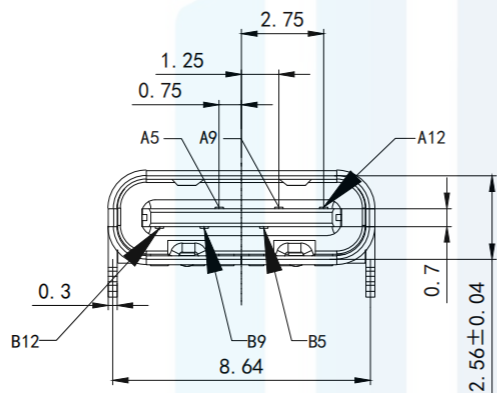


RoHS2.0
Compliant



USB TYPE C PIN ASSIGNMENTS	
PIN	SIGNAL NAME
B12	GND
B9	VBus
B5	CC2
A5	CC1
A9	VBus
A12	GND



RECOMMENDED P. C. B. LAYOUT
TOLERANCE UNSPECIFIED +0.05mm

SPECIFICATION

1. ELECTRICAL CHARACTERISTICS:

1-1. VOLTAGE & CURRENT RATING: DC 30V MAX & 3A

1-2. CONTACT RESISTANCE: 40mΩ MAX INITIAL

1-3. INSULATION RESISTANCE:
1000MΩ MIN FOR VOLTAGE 100VDC.

1-4. DIELECTRIC WITHSTAND: 100V AC

for 1 MINUTE

1-5. OPERATING TEMPERATURE: -25°C ~ +85°C

2. MECHANICAL CHARACTERISTICS:

2-1. INSERT FORCE: 5-20N Max

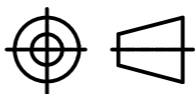
2-2. WITHDRAW FORCE: 5-20N Min

2-3. LIFE TEST : 3,000 CYCLES

TOLERANCE

X. XXX	±0.05
X. XX	±0.15
X. X	±0.20
X.	±0.30
ANGLE	±5.0°

PROTECTON



东莞市恒祺电子科技有限公司

Dongguan Hengqi Electronic Technology Co., Ltd

<https://www.hq-dz.com>

phone: 15812872448

TITLE:

TYPE C 6P板上贴片外壳带弹
4定位脚插板

PART NO: TYPE-C6P-BS1108

DRAWING NO: 8.64*6.85*3.16

DRAWN:

CHECKED:

APPROVED:

DATE:

DATE:

DATE:

18-10-08

18-10-08

18-10-08

UNIT:
mm

SCALE:
FULL

SIZE:
A4