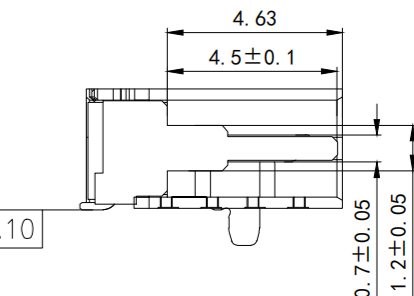
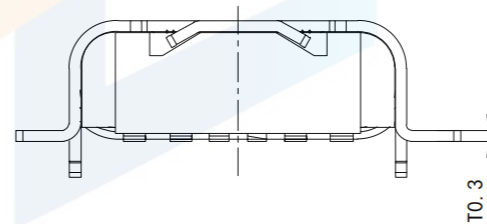
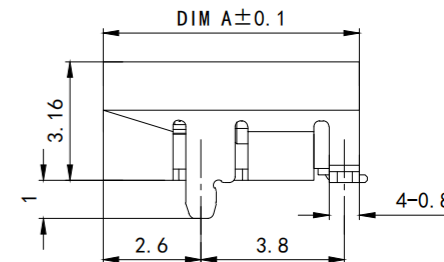
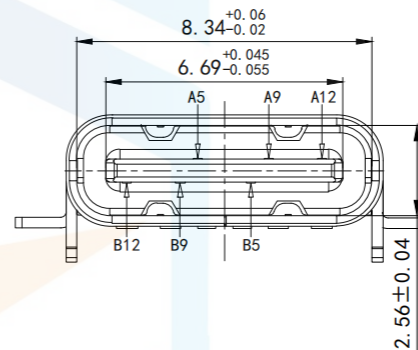
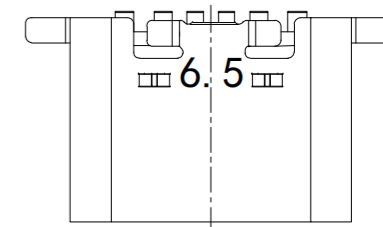
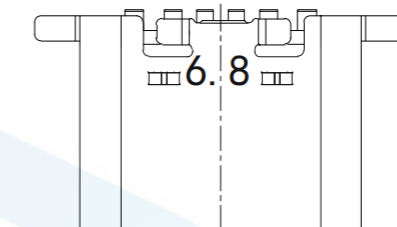
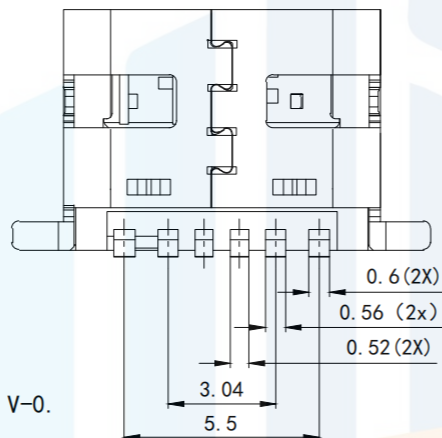
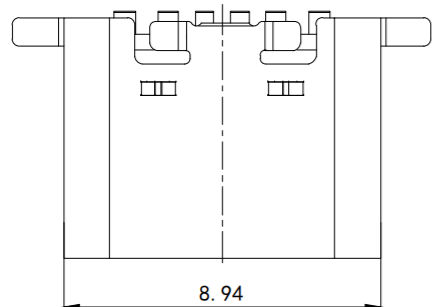


RoHS2.0
Compliant



SECTION: A-A

NOTE1:

1. MATERIAL SPECIFICATION:
1. HOUSING: HIGH TEMPERATURE RESISTANT PLASTIC, UL94 V-0.
2. CONTACTS: COPPER ALLOY
3. MID PLATE: STAINLESS STEEL
4. FRONT SHELL: STAINLESS STEEL
2. PLATING SPECIFICATION:
- 2-1. CONTACTS: Ni 50u" MIN. UNDER PLATED OVER ALL. AU PLATED ON THE FUNCTIONAL AREA OF CONTACT. (GOLD PLATING THICKNESS FOLLOW THE P/N) PLATING SPECIFICATIONS OF THE SOLDER AREA FOLLOW THE P/N
- 2-2. FRONT SHELL:
- SEE TABLE1.
- 2-3. SHIELD PLATE&EMI PLATE:
- CLEAR ONLY
3. MECHANICAL PERFORMANCE,
- 3-1. INSERTION FORCE: 0.5~2.0kgf.
- 3-2. REMOVAL FORCE: 0.8kgf~2.0kgf.
- 3-3. DURABILITY: 2000 CYCLES.
4. ELECTRICAL PERFORMANCE,
- 4-1. CURRENT RATING: 5.0A
- VOLTAGE RATING: 5.0V
- 4-2. LLCR: VBUS & GND PINS AND OTHER PINS: 40mN/PIN
- MAX. SHIELD: 50m2/MAX. LLCR MAX. CHANGE OF ALL PINS: 10mn.
- 4-3. INSULATION RESISTANCE: 100MΩMIN
- 4-4. DIELECTRIC WITHSTAND VOLTAGE, AC 100V FOR 1 MINUTE.
5. ENVIRONMENTAL PERFORMANCE:
- OPERATING TEMPERATURE: -25°C~+85°C.
6. IR REFLOW: THE PEAK TEMPERATURE ON THE BOARD SHALL BE MAINTAINED FOR 10 SECONDS AT 260°C.
7. COMPLY WITH ROHS 2.0 AND REACH AND OTHER ENVIRONMENTAL PROTECTION REQUIREMENTS

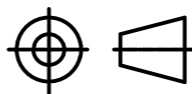
NOTE2

DIM A
6.8
6.5

TOLERANCE

X. XXX	±0.05
X. XX	±0.15
X. X	±0.20
X.	±0.30
ANGLE	±5.0°

PROTECTON



东莞市恒祺电子科技有限公司

Dongguan Hengqi Electronic Technology Co., Ltd

<https://www.hq-dz.com>

phone: 15812872448

TITLE:

TYPE C 6P板上端子SMT
4定位脚前插后贴

PART NO: TYPE-C6P-BS1036

DRAWING NO: 8.94*3.16*A

DRAWN:

CHECKED:

APPROVED:

DATE:

DATE:

DATE:

18-10-08

18-10-08

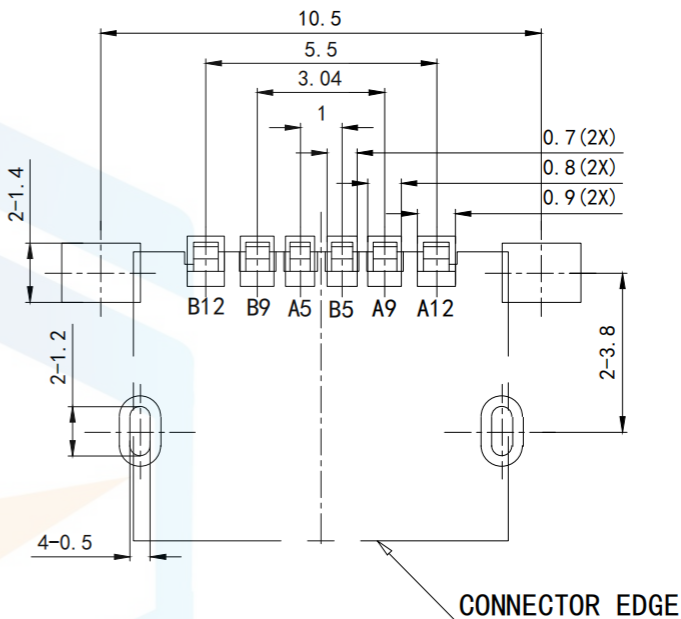
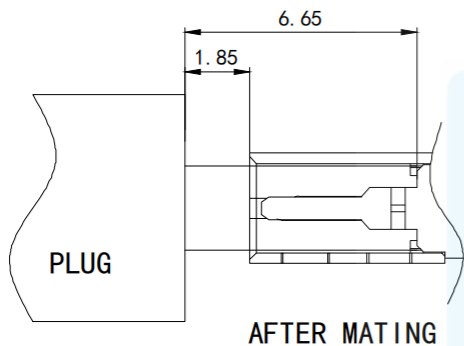
18-10-08

UNIT:
mm

SCALE:
FULL

SIZE:
A4

RoHS2.0
Compliant



USB TYPE-C PIN ASSIGNMENTS

PIN NUMBER	SIGNAL NAME	PIN NUMBER	SIGNAL NAME
A12	GND	B12	GND
A9	VBUS	B9	VBUS
A5	CC1	B5	CC2

RECOMMENDED PCB LAYOUT (TOP VIEW)
THICKNESS 1.6 ± 0.1 MM DEFAULT TOLERANCE: ± 0.05

TOLERANCE

X. XXX	± 0.05
X. XX	± 0.15
X. X	± 0.20
X.	± 0.30
ANGLE	$\pm 5.0^\circ$



东莞市恒祺电子科技有限公司
Dongguan Hengqi Electronic Technology Co., Ltd

<https://www.hq-dz.com>

phone: 15812872448

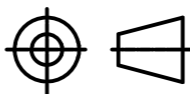
TITLE:

TYPE C 6P板上端子SMT
4定位脚前插后贴

PART NO: TYPE-C6P-BS1036

DRAWING NO: 8.94*3.16*A

PROTECTON



DRAWN:

CHECKED:

APPROVED:

DATE:

DATE:

DATE:

18-10-08

18-10-08

18-10-08

UNIT:
mm

SCALE:
FULL

SIZE:
A4