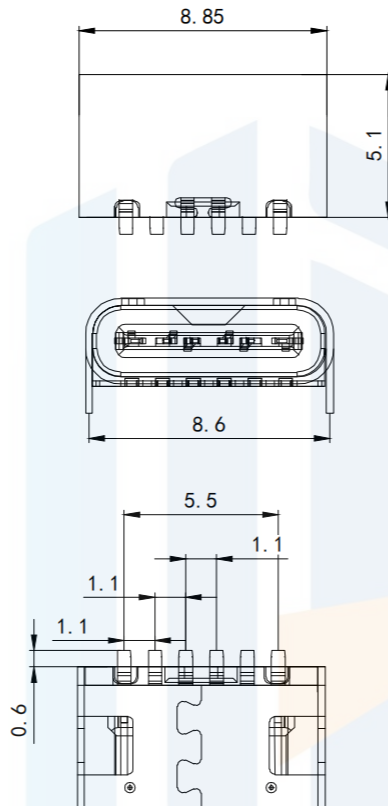
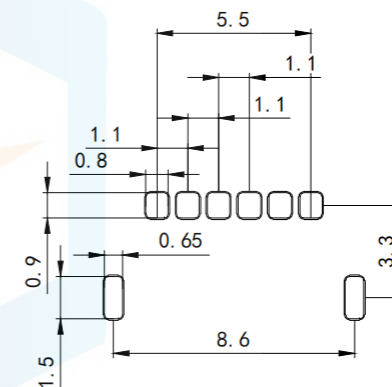
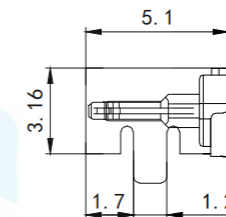


RoHS2.0
Compliant



USB TYPE C PIN ASSIGNMENTS


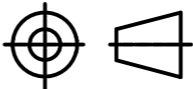
| PIN | SIGNAL NAME |
|-----|-------------|
| B12 | GND |
| B9 | VBus |
| B5 | CC2 |
| A5 | CC1 |
| A9 | VBus |
| A12 | GND |



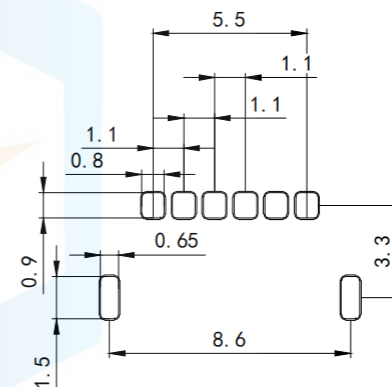
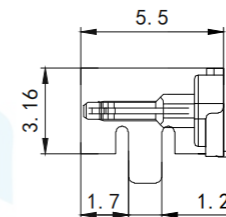
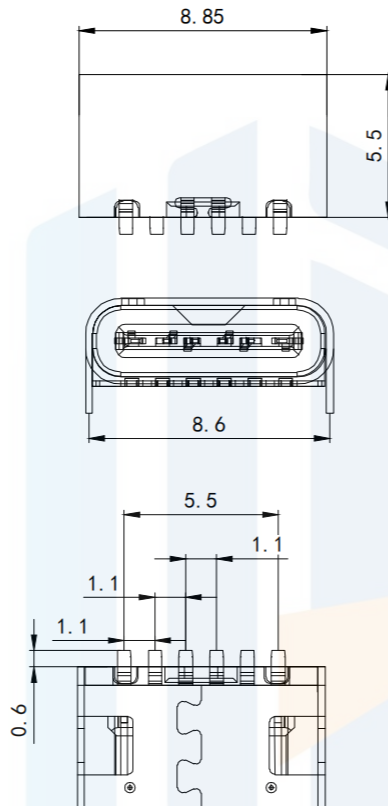
RECOMMENDED P. C. B. LAYOUT
TOLERANCE UNSPECIFIED +0.05mm

NOTE1 MATERIAL:

- 1.1 Adhesive core: LCP UL94 V-0
- 1.2 terminal: C2680, T-0.2mm;
- Nickel base, gold plated
- 1.3 shell: stainless steel 201-H with nickel plated finish
2. Electrical characteristics:
 - 2.1. Contact area: contact resistance 40mΩ Mag, allowable 10mΩ variation, test conditions: 20mV, 100mA measurement.
 - 2.2. Contact current: 3A VBUS pin: 1.25A for GND pin; The other pins are 0.25A.
 - 2.3. Rated voltage: 5V
 - 2.4. Withstand voltage: 100VAC
 - 2.5. Insulation resistance: at least 100 megaohms
3. Mechanical properties:
 - 3.1. Insertion force: 0.52.0Kg
 - 3.2. Pull-out force: 0.6-2.04Kg
 - 3.3. Plugging and unplugging times: 5000 times,
4. Working environment: -20° C to +85° C

| | | | | | |
|-----------|--------|-------|---|---|----------|
| TOLERANCE | X. XXX | ±0.05 |  | 东莞市恒祺电子科技有限公司 Dongguan Hengqi Electronic Technology Co., Ltd | |
| | X. XX | ±0.15 | | https://www.hq-dz.com phone:15812872448 | |
| PROTECTON | X. X | ±0.20 |  | TITLE: TYPE C 6P板上端子SMT 2定位脚插板L=5.1 | |
| | X. | ±0.30 | | PART NO:TYPE-C6P-BS1023 DRAWING NO:8.85*5.5*3.16 | |
| | ANGLE | ±5.0° | | DRAWN: | |
| | | | | CHECKED: | |
| | | | | APPROVED: | |
| | | | | DATE: | 18-10-08 |
| | | | | DATE: | 18-10-08 |
| | | | | DATE: | 18-10-08 |
| | | | | UNIT: | mm |
| | | | | SCALE: | FULL |
| | | | | SIZE: | A4 |

RoHS2.0
Compliant



RECOMMENDED P. C. B. LAYOUT
TOLERANCE UNSPECIFIED +0.05mm

| USB TYPE C PIN ASSIGNMENTS | |
|----------------------------|-------------|
| B12 | GND |
| B9 | VBus |
| B5 | CC2 |
| A5 | CC1 |
| A9 | VBus |
| A12 | GND |
| PIN | SIGNAL NAME |

NOTE1 MATERIAL:

- 1.1 Adhesive core: LCP UL94 V-0
- 1.2 terminal: C2680, T-0.2mm;
- 1.3 shell: Nickel base, gold plated
- 1.4 stainless steel 201-H with nickel plated finish
2. Electrical characteristics:
 - 2.1. Contact area: contact resistance 40mΩ Mag, allowable 10mΩ variation, test conditions: 20mV, 100mA measurement.
 - 2.2. Contact current: 3A VBUS pin: 1.25A for GND pin; The other pins are 0.25A.
 - 2.3. Rated voltage: 5V
 - 2.4. Withstand voltage: 100VAC
 - 2.5. Insulation resistance: at least 100 megaohms
3. Mechanical properties:
 - 3.1. Insertion force: 0.52.0Kg
 - 3.2. Pull-out force: 0.6-2.04Kg
 - 3.3. Plugging and unplugging times: 5000 times,
4. Working environment: -20° C to +85° C

| | | | |
|--|--|---|--|
| TOLERANCE X. XXX ±0.05 X. XX ±0.15 X. X ±0.20 X. ±0.30 ANGLE ±5.0° | | 东莞市恒祺电子科技有限公司 Dongguan Hengqi Electronic Technology Co., Ltd | |
| | | https://www.hq-dz.com phone:15812872448 | |
| PROTECTON | DRAWN: CHECKED: APPROVED: | TITLE: TYPE C 6P板上端子SMT 2定位脚插板L=5.5 | |
| | | PART NO: TYPE-C6P-BS1023A DRAWING NO: 8.85*5.5*3.16 | |
| | | DATE: 18-10-08 DATE: 18-10-08 DATE: 18-10-08 | UNIT: mm SCALE: FULL SIZE: A4 |