

RoHS2.0  
Compliant

1 Material:

1.1 Adhesive core: LCP UL94 V-0  
1.2 terminal: C2680, T=0.2mm; Nickel base, gold plated  
1.3 shell: stainless steel 201-H with nickel plated finish

2. Electrical characteristics:

2.1. Contact area: contact resistance 40Ω Max, allowable 10mΩ variation, test conditions: 20mv, 100mA measurement

2.2. Contact current: 3A VBUS pin; 1.25A for GND

pins; The other pins are 0.25A.

2.3. Rated voltage: 5V

2.4. Withstand voltage: 100VAC

2.5. Insulation resistance: at least 100 megaohms

3. Mechanical properties:

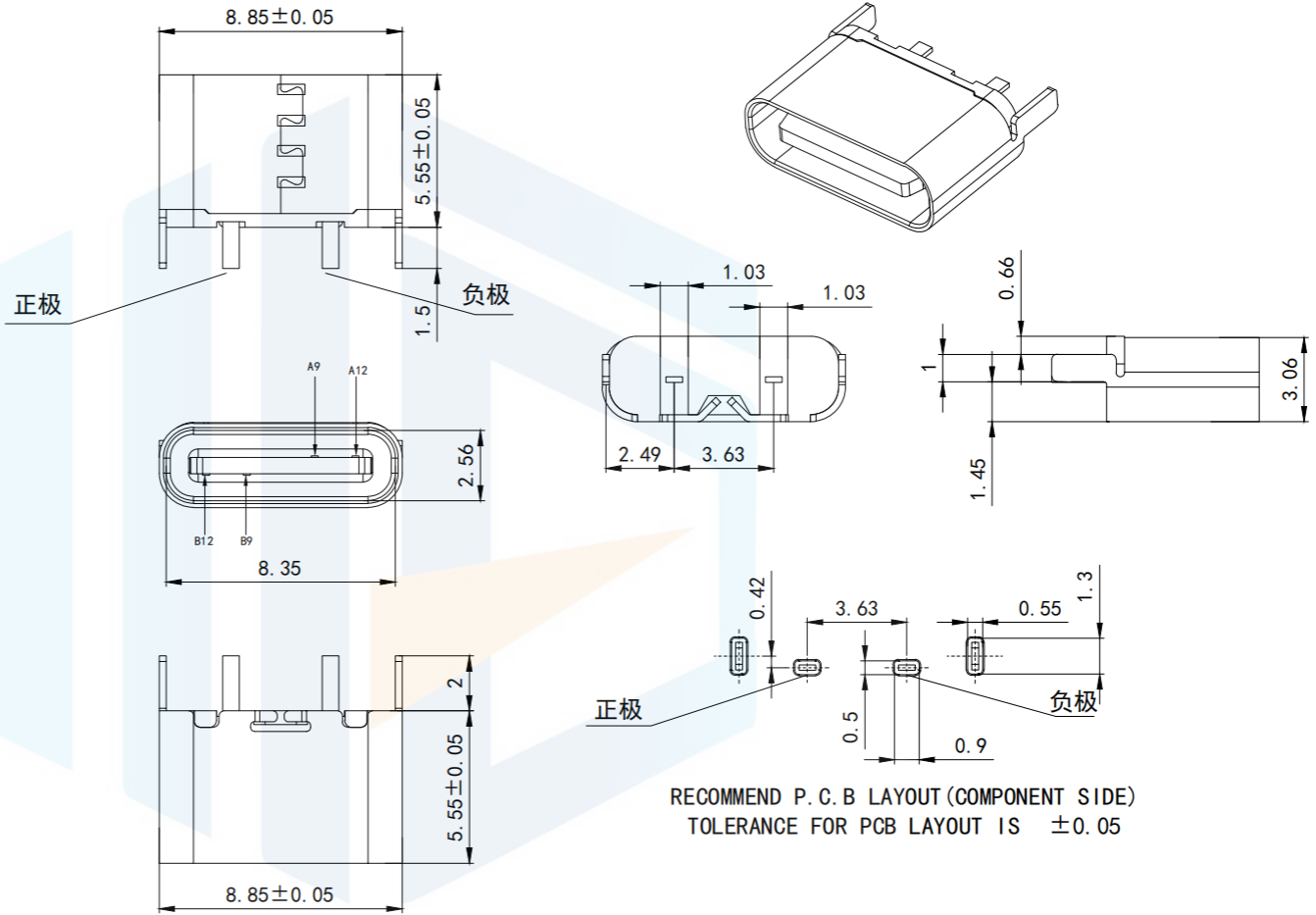
3.1. Insertion force: 0.5-2.0Kg

3.2. Pull-out force: 0.6-2.04Kg


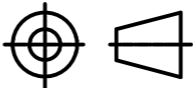
3.3. Number of plugging and unplugging: 5000 times

4. Working environment: -20° C to +85° C

5. Soldering heat resistance: the terminal is immersed in a tin bath at 250+5 ° C: it lasts 3-5S ± 0.5Sec, and the tin area is more than 95%.



RECOMMEND P. C. B LAYOUT (COMPONENT SIDE)  
TOLERANCE FOR PCB LAYOUT IS ±0.05

<b>TOLERANCE</b>		 <b>东莞市恒祺电子科技有限公司</b> Dongguan Hengqi Electronic Technology Co., Ltd		
X. XXX	±0.05			
X. XX	±0.15	<a href="https://www.hq-dz.com">https://www.hq-dz.com</a> phone:15812872448		
X. X	±0.20	<b>TITLE:</b> TYPE C 2P立式直插		
X.	±0.30	<b>PART NO:</b> TYPE-C2P-LC1056		
ANGLE	±5.0°	<b>DRAWING NO:</b> 8.85*5.5*3.06		
<b>PROTECTON</b> 		<b>DRAWN:</b>	<b>DATE:</b> 18-10-08	<b>UNIT:</b> mm
		<b>CHECKED:</b>	<b>DATE:</b> 18-10-08	<b>SCALE:</b> FULL
		<b>APPROVED:</b>	<b>DATE:</b> 18-10-08	<b>SIZE:</b> A4