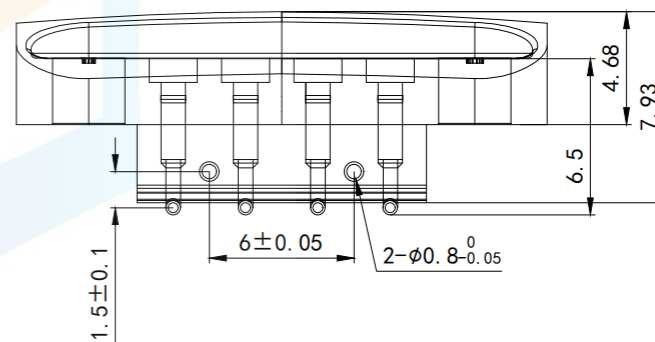
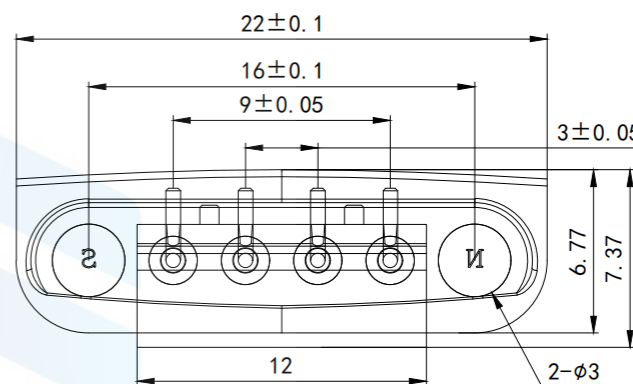
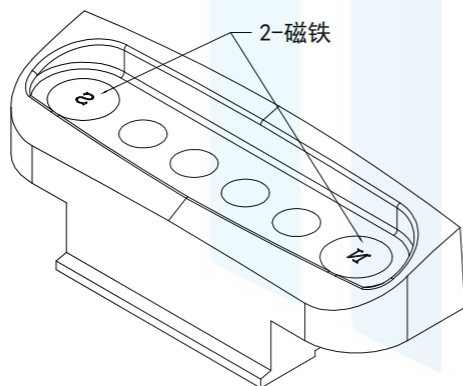
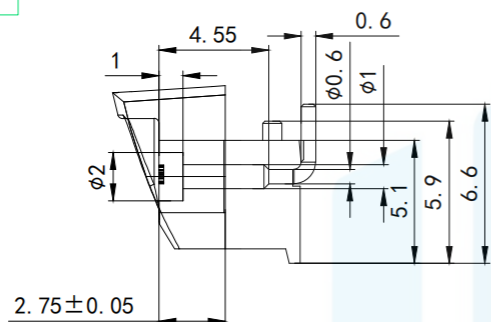


RoHS2.0
Compliant



NOTE:

1. Material and plating:

Copper column: Brass C3602 (3μau over 50-100μNi)

Plastic seat: PA46(black)

Magnet: N52

2: Electrical:

Rated voltage and current :DC 12V; 1A(stationary).

Contact resistance: Max. 100mohm.

3: Working temperature:

High temperature resistance :270

Operating temperature :-40 ~ +85

4. No deformation, burr scratches, oxidation, etc.;

5: Salt spray test requirements :48 hours;

6: Products comply with RoHS;

TOLERANCE			东莞市恒祺电子科技有限公司			
X. XXX	±0.05		Dongguan Hengqi Electronic Technology Co., Ltd			
X. XX	±0.15	https://www.hq-dz.com		phone:15812872448		
X. X	±0.20	TITLE: 冲电吸头母座		PART NO: POGOPIN-1-4		
X.	±0.30			DRAWING NO:22*7.37*4.68		
ANGLE	±5.0°	DRAWN:		DATE: 18-10-08		
PROTECTON 				CHECKED:		DATE: 18-10-08
						APPROVED:
				UNIT: mm		
				SCALE: FULL		
				SIZE: A4		