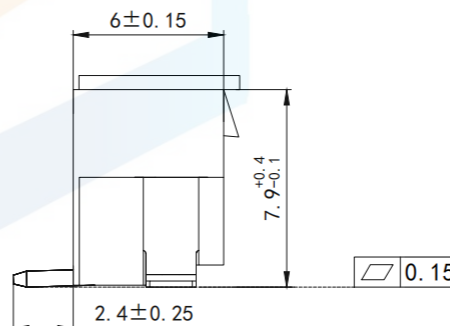
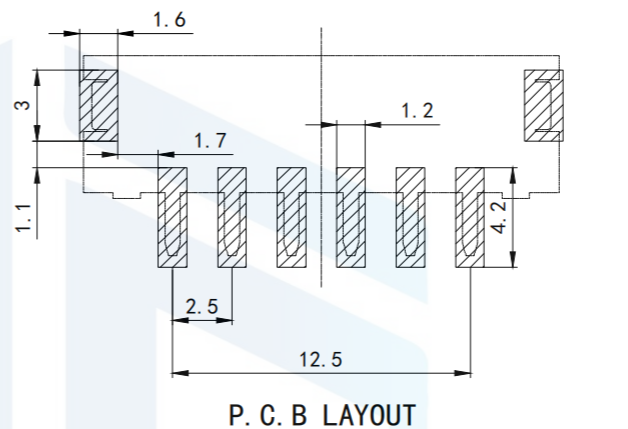
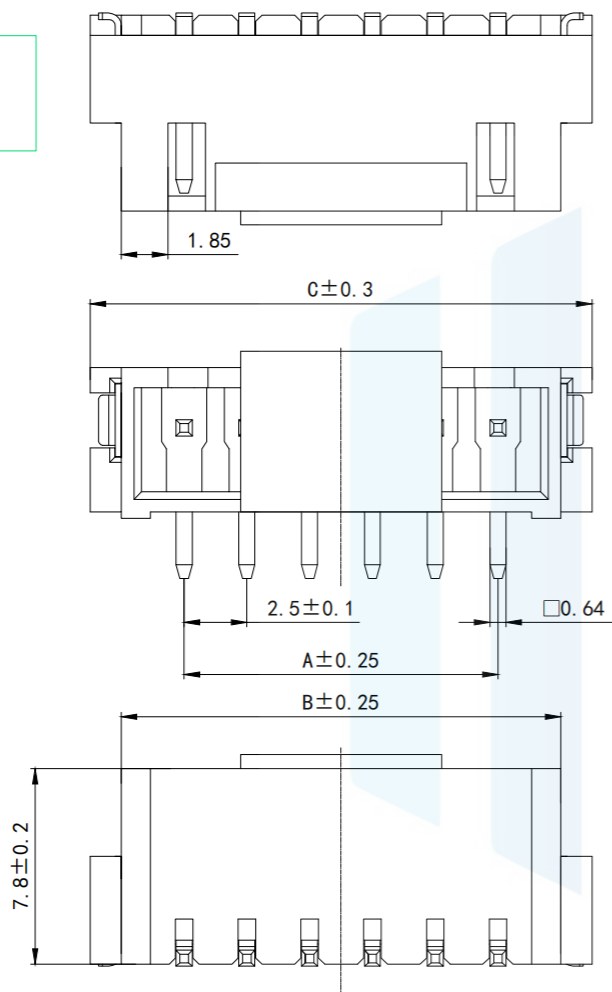


RoHS2.0
Compliant



| 孔数 | 型号 | 尺寸 (mm) | | |
|-----|------------|-----------|------|------|
| | | A | B | C |
| 2 | 2.54-2ALT | 2.5 | 7.5 | 10.0 |
| 3 | 2.54-3ALT | 5.0 | 10.0 | 12.5 |
| 4 | 2.54-4ALT | 7.5 | 12.5 | 15.0 |
| 5 | 2.54-5ALT | 10.0 | 15.0 | 17.5 |
| ... | ... | ... | ... | ... |
| 16 | 2.54-16ALT | 37.5 | 42.5 | 45.0 |

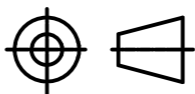
Specifications:

1. Current rating: 3A
2. Voltage rating: 250V AC, DC
3. Insulation Resistance: 1000M Min.
4. Dielectric Withstanding: 1000V AC 1Minne
5. Contact Resistance: 20m2 Max.
6. Operating Temperature: -25°C to +85C
7. Materials: Contact Material: Bronze (Sn plating)
8. Soldering Terminal: Bronze (Sn plating)
9. Insulation Material: LCP UL94V-0

TOLERANCE

| | |
|--------|-------|
| X. XXX | ±0.05 |
| X. XX | ±0.15 |
| X. X | ±0.20 |
| X. | ±0.30 |
| ANGLE | ±5.0° |

PROTECTON



东莞市恒祺电子科技有限公司

Dongguan Hengqi Electronic Technology Co., Ltd

<https://www.hq-dz.com>

phone: 15812872448

TITLE:

针座

PART NO: XHB-2.54立贴带扣-XX

DRAWING NO: 2*2.54*针位

DRAWN:

CHECKED:

APPROVED:

DATE:

DATE:

DATE:

18-10-08

18-10-08

18-10-08

UNIT:
mm

SCALE:
FULL

SIZE:
A4