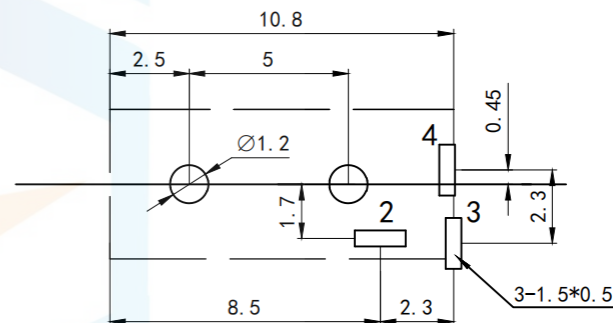
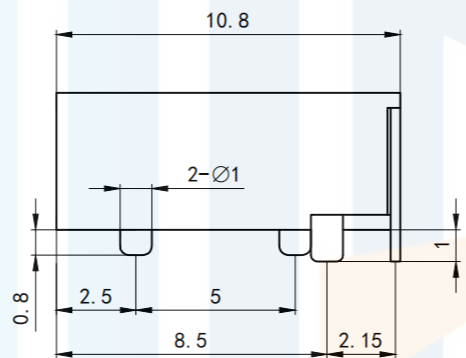
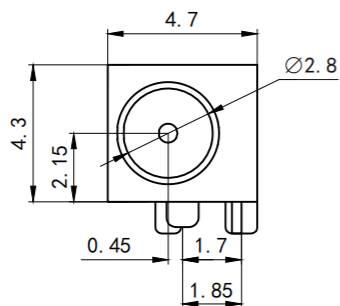
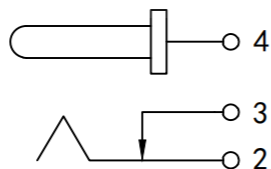


RoHS2.0
Compliant



P. C. B LAYOUT TOP VIEW



Rating:0.5A 30V DC
Contact Resistance:100 mΩ Max.
Operating temperature:-20°C~70°C
Operating force:3-20N
Operating Life:5,000cycles

TOLERANCE			东莞市恒祺电子科技有限公司 Dongguan Hengqi Electronic Technology Co., Ltd		
X. XXX	±0.05		https://www.hq-dz.com phone:15812872448		
X. XX	±0.15	TITLE: DC电源插座		PART NO:DC-093	
X. X	±0.20			DRAWING NO:10.8*4.3*4.7	
X.	±0.30			DATE:	18-10-08
ANGLE	±5.0°			UNIT:	mm
PROTECTON		DRAWN:		DATE:	18-10-08
		CHECKED:		DATE:	18-10-08
		APPROVED:		DATE:	18-10-08
				SCALE:	FULL
				SIZE:	A4