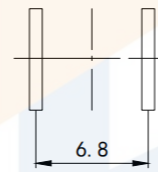
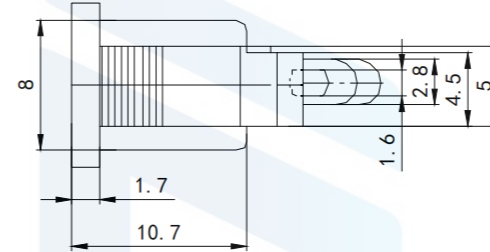
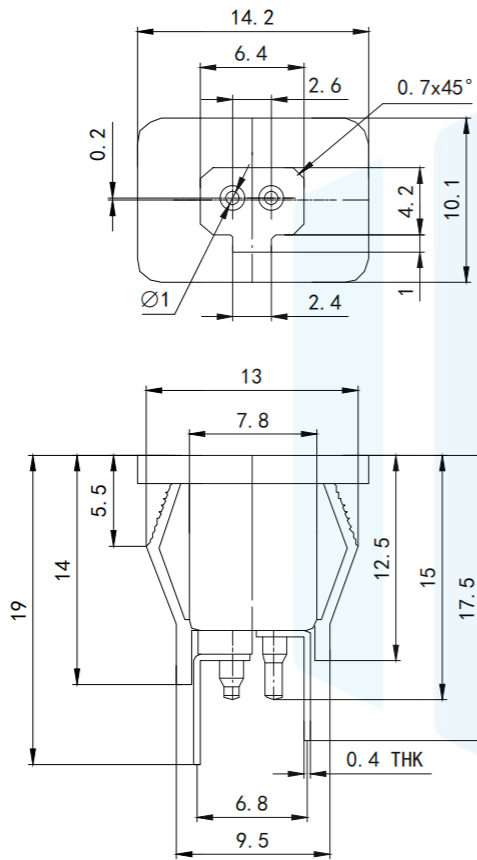
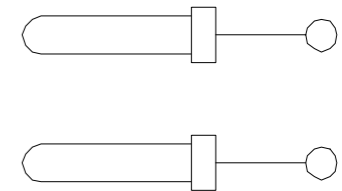


RoHS2.0
Compliant


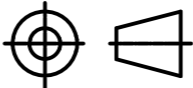


P. C. B LAYOUT



SCHEMATIC

Rating:0.5A 30V DC
Contact Resistance:100 mΩ Max.
Operating temperature:-20°C~70°C
Operating force:3-20N
Operating Life:5,000cycles

TOLERANCE X. XXX ±0.05 X. XX ±0.15 X. X ±0.20 X. ±0.30 ANGLE ±5.0°		东莞市恒祺电子科技有限公司 Dongguan Hengqi Electronic Technology Co., Ltd	
		https://www.hq-dz.com phone:15812872448	
PROTECTON 	DRAWN:	DATE: 18-10-08	UNIT: mm
	CHECKED:	DATE: 18-10-08	SCALE: FULL
	APPROVED:	DATE: 18-10-08	SIZE: A4
TITLE: DC电源插座		PART NO: DC-074	
		DRAWING NO: 14.2*14*10.7	