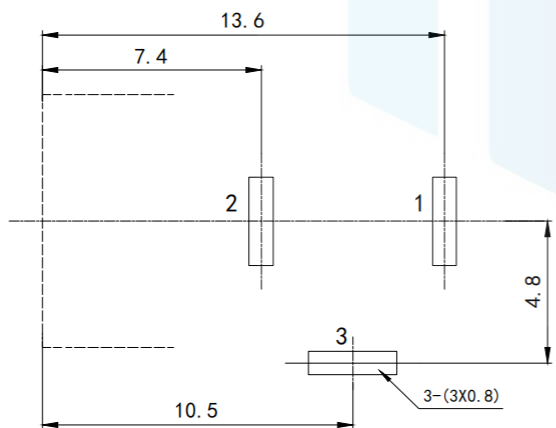
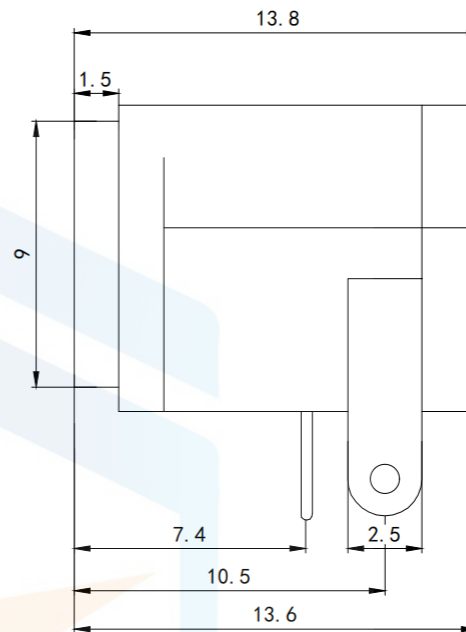
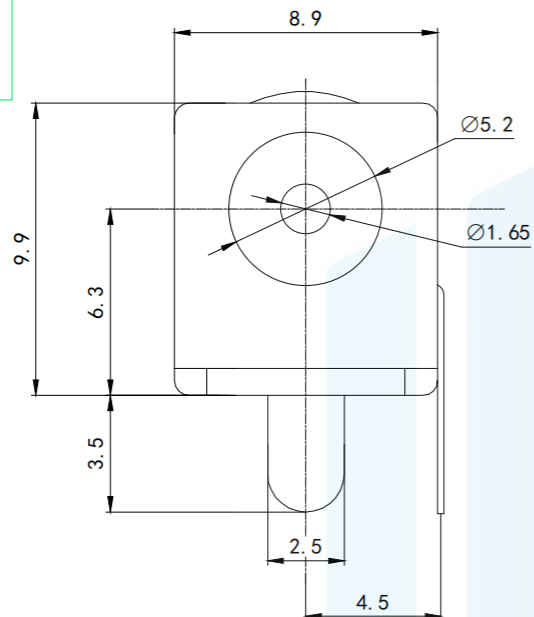
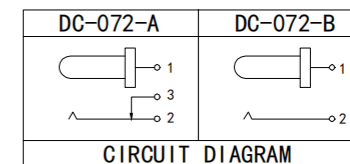
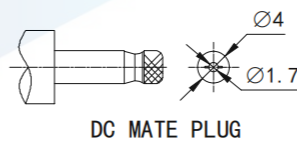


RoHS2.0  
Compliant



P.C.B LAYOUT (copper-sided view)

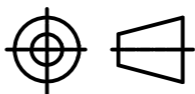
Rating: 0.5A 30V DC  
 Contact Resistance: 100 mΩ Max.  
 Operating temperature: -20°C ~ 70°C  
 Operating force: 3-20N  
 Operating Life: 5,000 cycles



**TOLERANCE**

X. XXX	±0.05
X. XX	±0.15
X. X	±0.20
X.	±0.30
ANGLE	±5.0°

**PROTECTON**



东莞市恒祺电子科技有限公司  
 Dongguan Hengqi Electronic Technology Co., Ltd

<https://www.hq-dz.com>

phone: 15812872448

**TITLE:**

DC电源插座

PART NO: DC-072

DRAWING NO: 13.8\*8.9\*9.9

DRAWN:

DATE:

18-10-08

UNIT:  
mm

CHECKED:

DATE:

18-10-08

SCALE:  
FULL

APPROVED:

DATE:

18-10-08

SIZE:  
A4