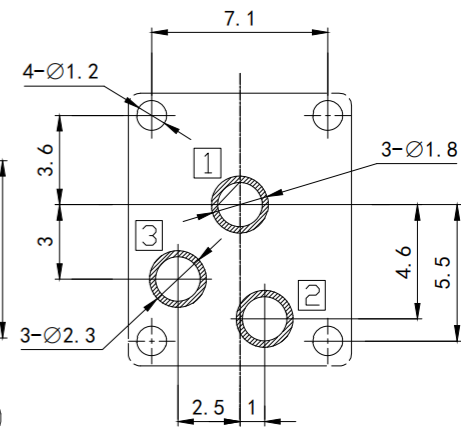
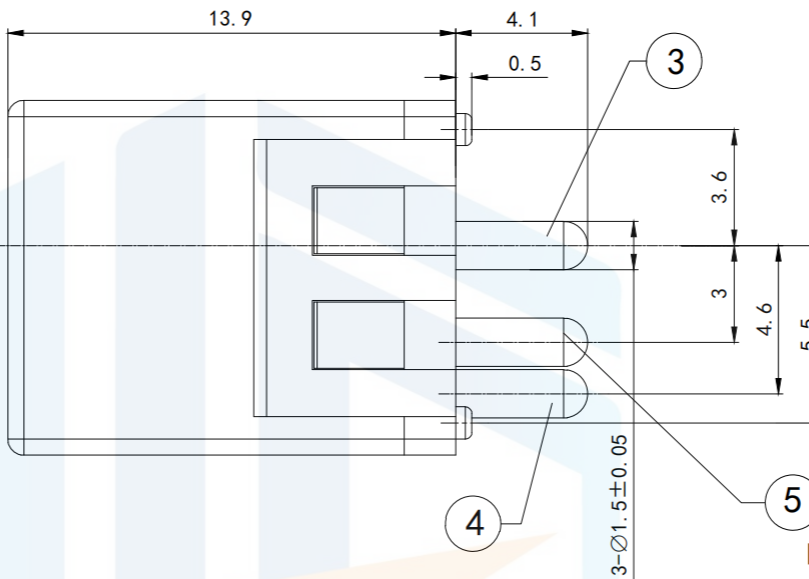
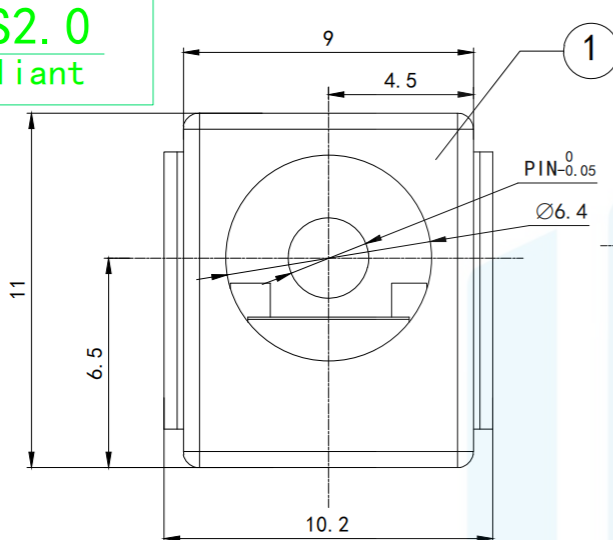
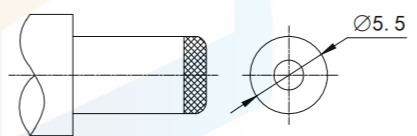
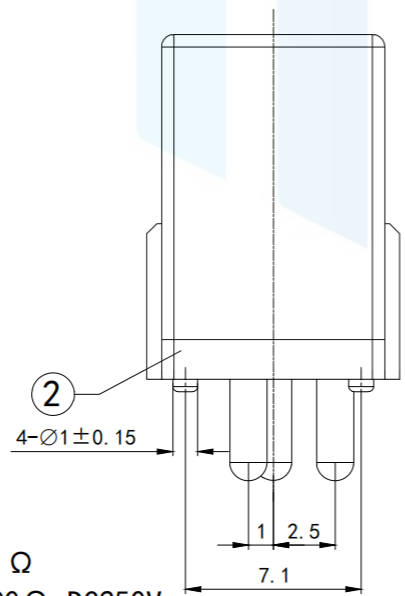


RoHS2.0
Compliant

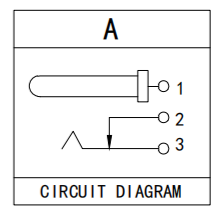


PCB HOLES (BOTTOM VIEW) $t=1.6\text{mm}$
NOTE: GENERAL TOLERANCE: $\pm 0.05\text{mm}$



DC MATE PLUG

MODEL NO.	H	J
CENTER PIN	Ø2	Ø2.5



- Technical requirements
1. Rated load: DC 50V 0.5A
 2. Contact resistance: $\leq 0.03 \Omega$
 3. Insulation resistance: $\geq 100 \Omega$ DC250V
 4. Withstand voltage: AC 500V (50Hz)/min
 5. Insertion force: 3~20N
 6. Mechanical life: 5000 times
 7. Operation temperature range: $-30^{\circ}\text{C} \sim 70^{\circ}\text{C}$

TOLERANCE X. XXX ± 0.05 X. XX ± 0.15 X. X ± 0.20 X. ± 0.30 ANGLE $\pm 5.0^{\circ}$		东莞市恒祺电子科技有限公司 Dongguan Hengqi Electronic Technology Co., Ltd		
		https://www.hq-dz.com phone: 15812872448		
PROTECTON 	DRAWN: CHECKED: APPROVED:	TITLE: DC电源插座		
		PART NO: DC-051		
		DRAWING NO: 13.9*9*11		
		DATE:	18-10-08	UNIT: mm
		DATE:	18-10-08	SCALE: FULL
		DATE:	18-10-08	SIZE: A4