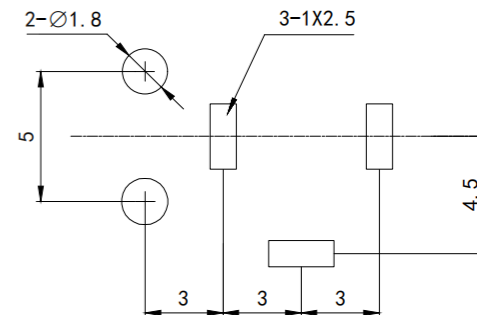
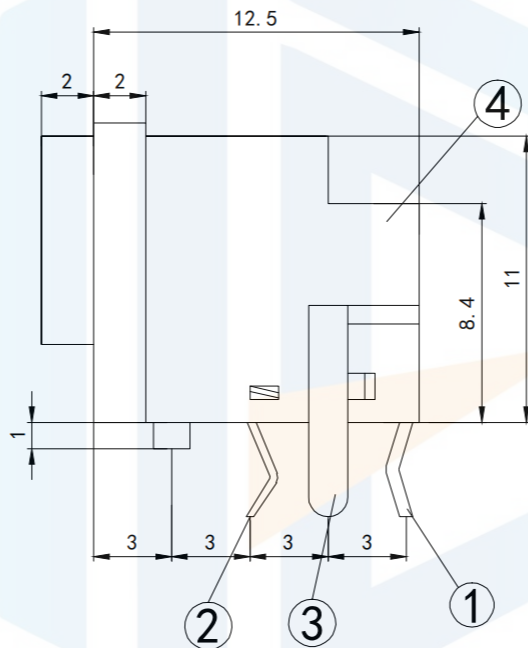
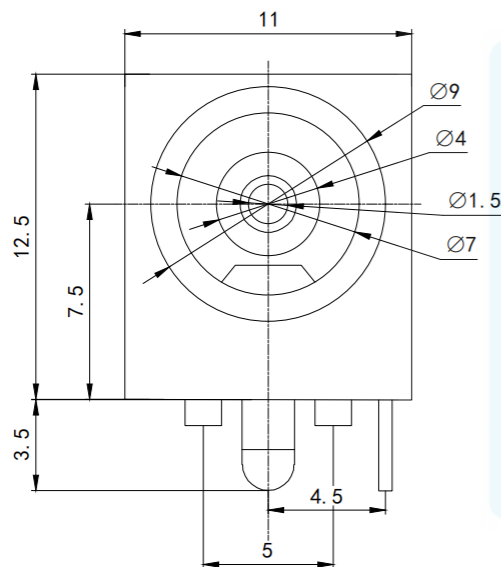


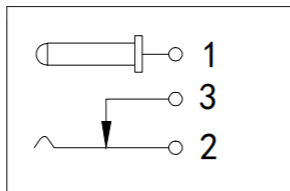
RoHS2.0
Compliant



Printed circuit board cut-out ruler


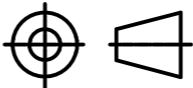
TOLERANCE: UNLESS OTHERWISE SPECIFIED		
UNORE: 1.5 ± 0.05	1.5 ~ 10 ± 0.1	OVER 10 ± 0.2

SCHEMATIC



Technical requirements

1. Rated load: DC 50V 0.2A
2. Contact resistance: $\leq 0.03 \Omega$
3. Insulation resistance: $\geq 100 \Omega$ DC250V
4. Withstand voltage: AC 500V (50Hz) / min
5. Insertion force: 3~20N
6. Mechanical life: 5000 times

TOLERANCE X. XXX ± 0.05 X. XX ± 0.15 X. X ± 0.20 X. ± 0.30 ANGLE $\pm 5.0^\circ$		东莞市恒祺电子科技有限公司 Dongguan Hengqi Electronic Technology Co., Ltd	
		https://www.hq-dz.com phone: 15812872448	
PROTECTON 	TITLE: DC电源插座	PART NO: DC-038	
	DRAWN:	DATE: 18-10-08	UNIT: mm
	CHECKED:	DATE: 18-10-08	SCALE: FULL
APPROVED:	DATE: 18-10-08	SIZE: A4	