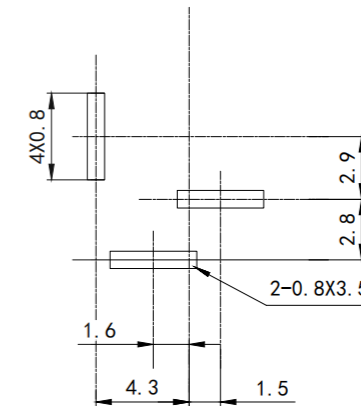
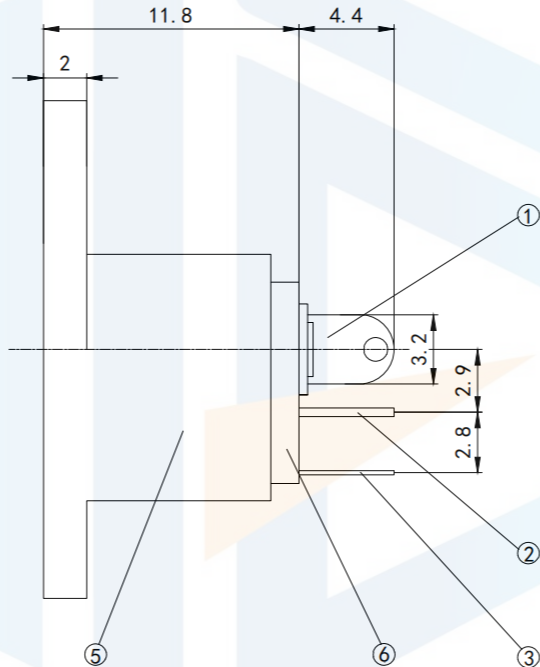
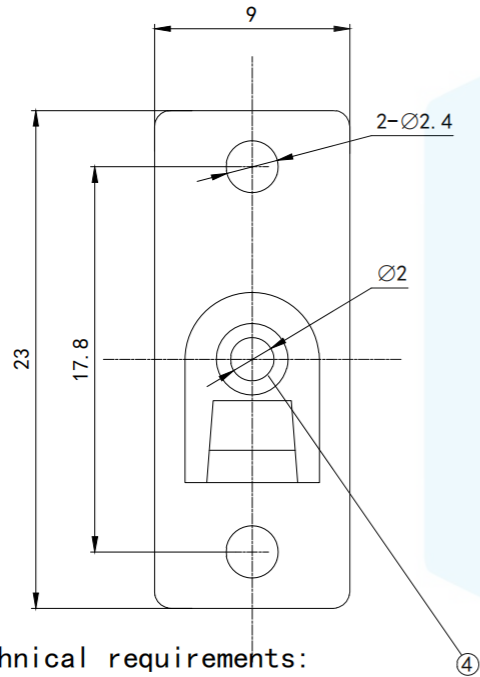


RoHS2.0
Compliant



Printed circuit board cut-out ruler

Main technical requirements:

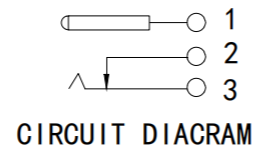
1. No Linear Tolerance:

- 0.0-10.0mm ±0.10mm
- 10.0-20.0mm ±0.15mm
- 20.0-50.0mm ±0.20mm

2. The appearance should be good, without rust, cracks, poor electroplating and other phenomena.

Technical requirements

- 1. Rated load: DC 30V 0.2A
- 2. Contact resistance: ≤0.03 Ω
- 3. Insulation resistance: ≥100Ω DC250V
- 4. Withstand voltage: AC 500V (50Hz) /min
- 5. Insertion force: 3~20N
- 6. Mechanical life: 5000 times



TOLERANCE X. XXX ±0.05 X. XX ±0.15 X. X ±0.20 X. ±0.30 ANGLE ±5.0°		东莞市恒祺电子科技有限公司 Dongguan Hengqi Electronic Technology Co., Ltd		
		https://www.hq-dz.com phone:15812872448		
PROTECTON 	TITLE: DC电源插座		PART NO: DC-019	
	DRAWN:		DRAWING NO: 11.8*9*23	
	CHECKED:	DATE: 18-10-08	UNIT: mm	SCALE: FULL
APPROVED:	DATE: 18-10-08	DATE: 18-10-08	SIZE: A4	