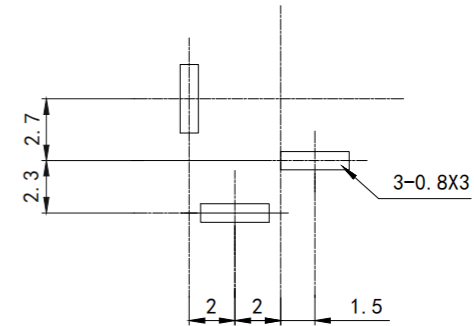
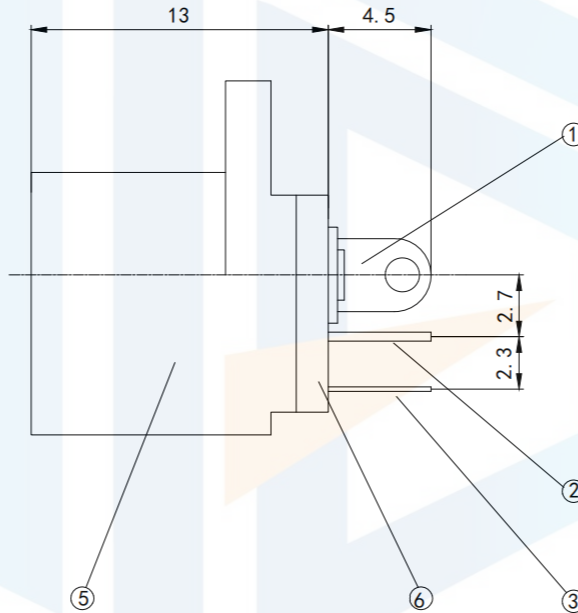
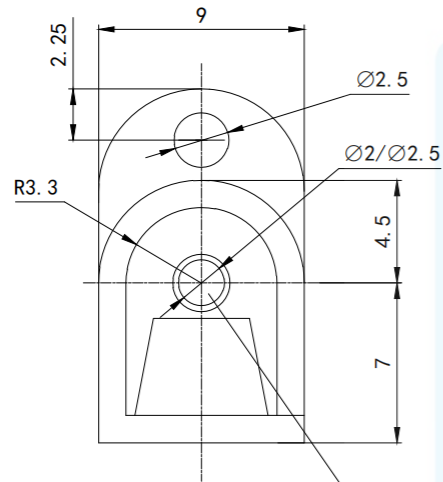


RoHS2.0
Compliant



Printed circuit board cut-out ruler

Main technical requirements:

1. No Linear Tolerance:

0.0-10.0mm ± 0.10 mm

10.0-20.0mm ± 0.15 mm

20.0-50.0mm ± 0.20 mm

2. The appearance should be good, without rust, cracks, poor electroplating and other phenomena.

Technical requirements

1. Rated load: DC 30V 0.2A

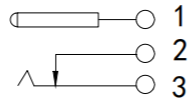
2. Contact resistance: $\leq 0.03 \Omega$

3. Insulation resistance: $\geq 100 \Omega$ DC250V


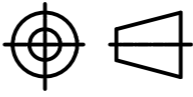
4. Withstand voltage: AC 500V (50Hz)/min

5. Insertion force: 3~20N

6. Mechanical life: 5000 times



CIRCUIT DIAGRAM

TOLERANCE X. XXX ± 0.05 X. XX ± 0.15 X. X ± 0.20 X. ± 0.30 ANGLE $\pm 5.0^\circ$		东莞市恒祺电子科技有限公司 Dongguan Hengqi Electronic Technology Co., Ltd			
		https://www.hq-dz.com		phone: 15812872448	
TITLE: DC电源插座		PART NO: DC-016A			
PROTECTON 		DRAWN:		DATE: 18-10-08	
		CHECKED:		DATE: 18-10-08	
		APPROVED:		DATE: 18-10-08	
				UNIT: mm	
				SCALE: FULL	
				SIZE: A4	